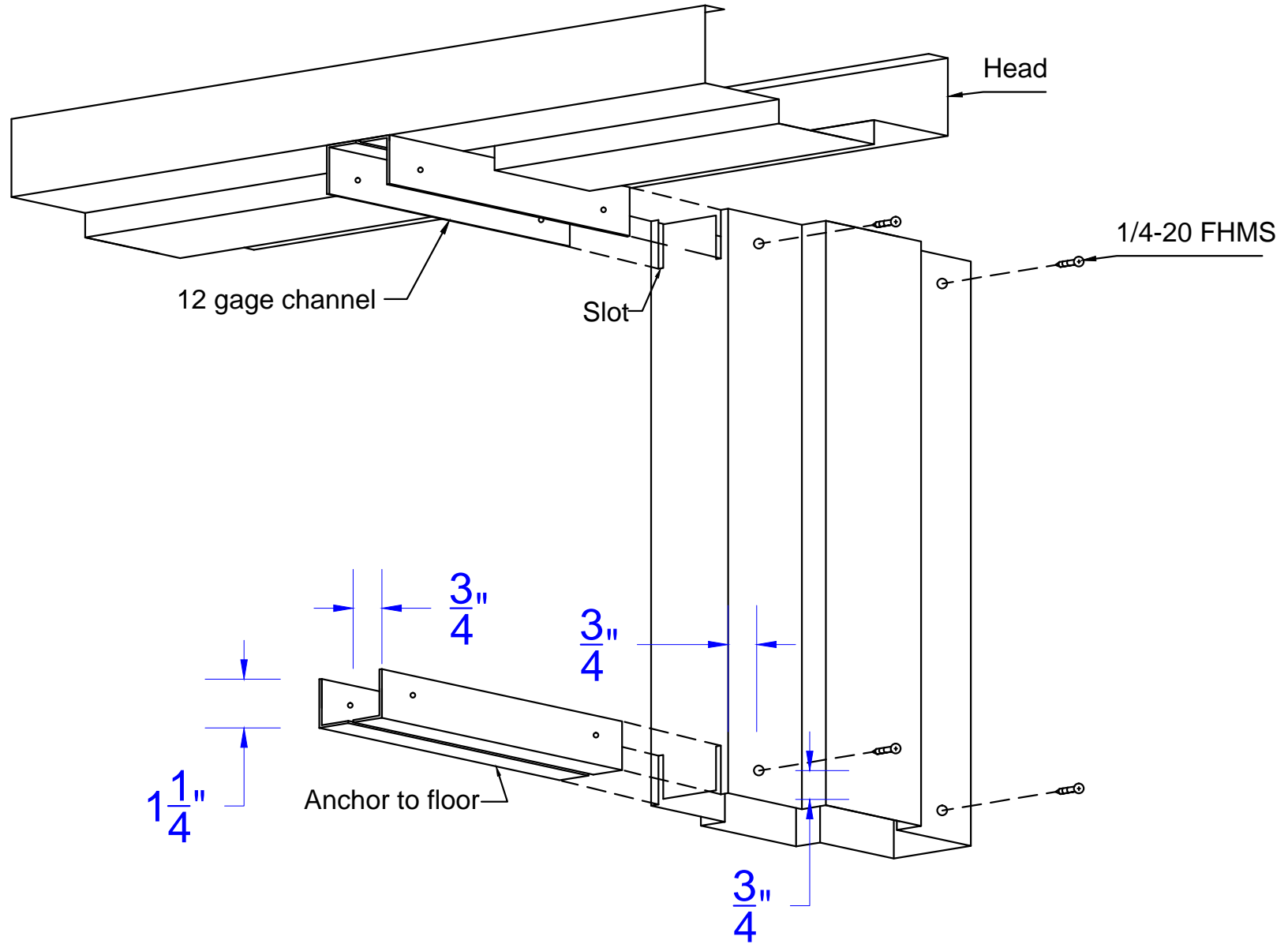


Not to scale



Concept Frames, Inc.

2015 Industrial Drive, Newton, NC 28658
PH: 888-234-9455 Fax: 800-631-9089

www.ConceptFrames.Com

Drawn By: KX

Date: 2-24-2015

Fire Rated Removable Mullion