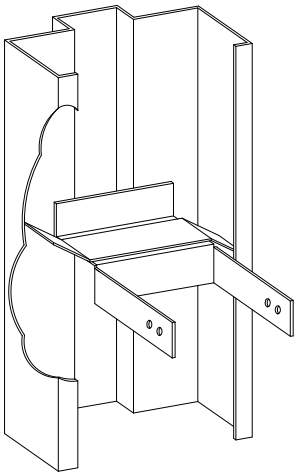
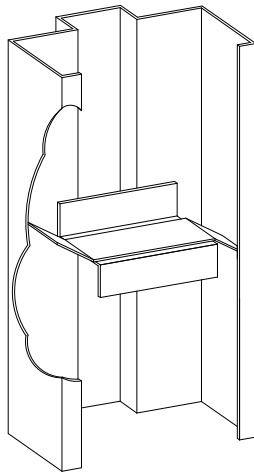


Snap In  
WSA



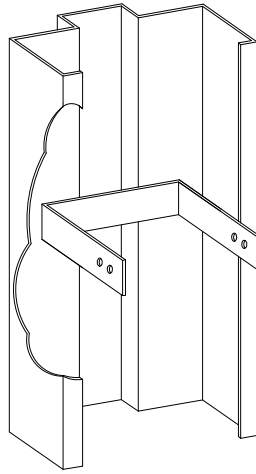
Snap In Wood  
Stud Anchor  
Shipped Loose  
Fire Rated: No

Snap In  
MSA



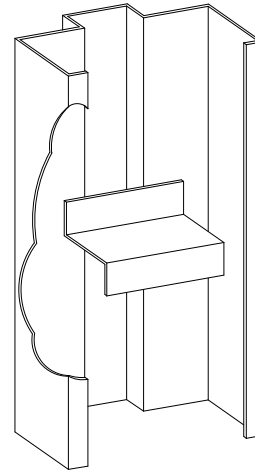
Snap In Metal  
Stud Anchor  
Shipped Loose  
Fire Rated: No

WSA



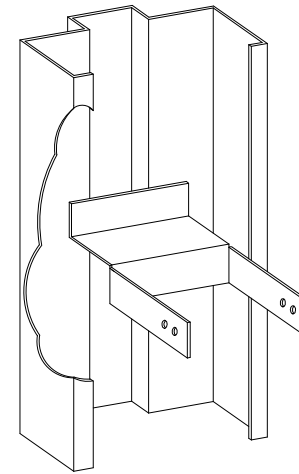
Wood Stud Anchor  
Welded  
Fire Rated: Yes

MSA



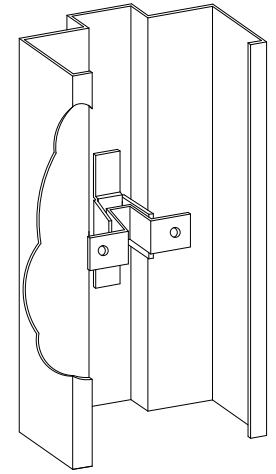
Metal Stud Anchor  
Welded  
Fire Rated: Yes

Combo



Metal/Wood Stud  
Combination Anchor  
Spot Welded  
Fire Rated: Yes

CA



Compression Anchor  
Welded  
Knock Down Frame  
Fire Rated: Yes

**Concept Frames, Inc.**

2015 Industrial Drive, Newton, NC 28658  
PH: 888-234-9455 Fax: 800-631-9089

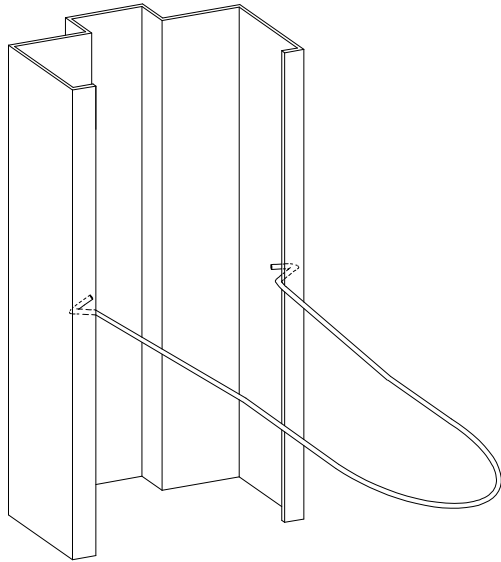
[www.ConceptFrames.Com](http://www.ConceptFrames.Com)

Drawn By: KX

Date: 12-08-2014

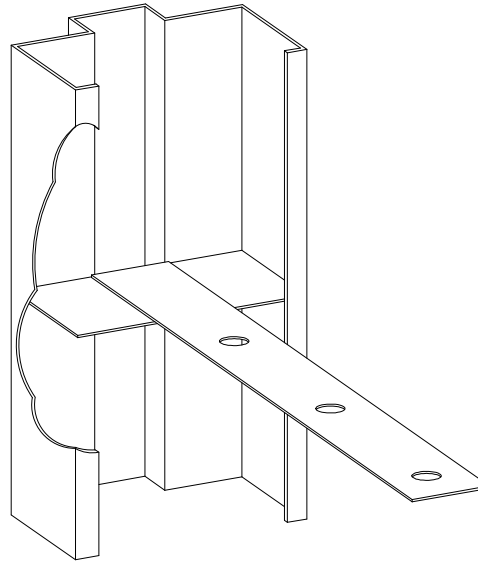
**Stud Anchors**

### Wire



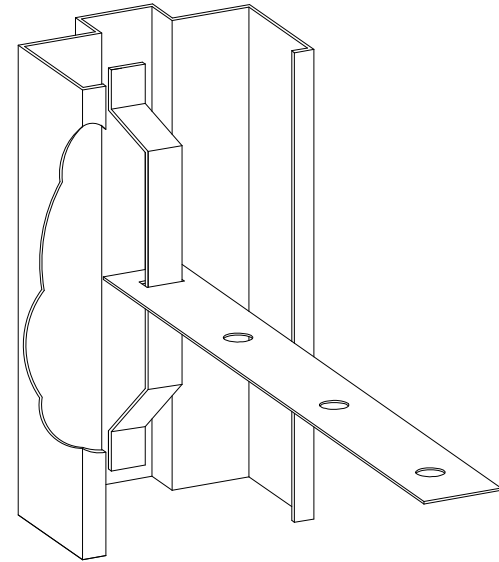
Wire Anchor  
Shipped Loose  
Fire Rated: No

### T-Anchor



Masonry "T" Anchor  
Shipped Loose  
Fire Rated: No

### Y&S



Yoke & Strap  
Welded  
Fire Rated: Yes

**Concept Frames, Inc.**

2015 Industrial Drive, Newton, NC 28658  
PH: 888-234-9455 Fax: 800-631-9089

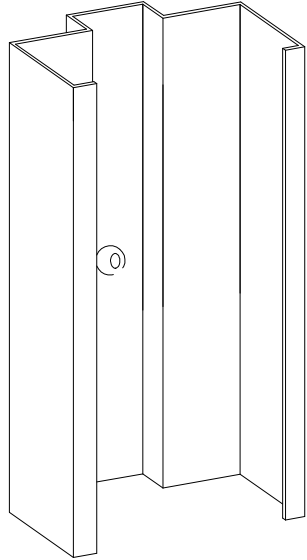
[www.ConceptFrames.Com](http://www.ConceptFrames.Com)

Drawn By: KX

Date: 12-08-2014

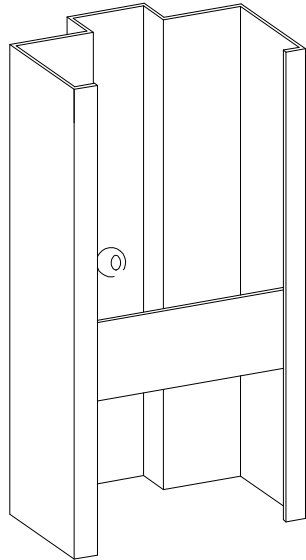
**Masonry Anchors**

### P&D



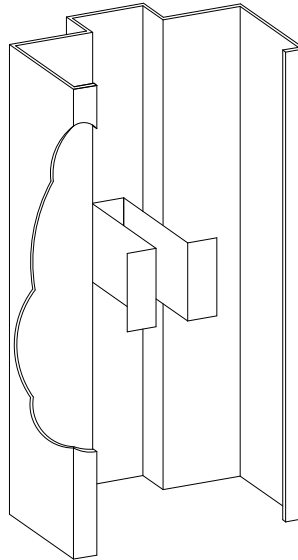
Pierce & Dimple  
Fire Rated: No

### EMA



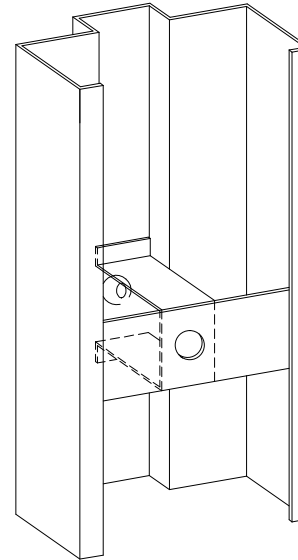
Existing Masonry Anchor  
P&D w/ Plate  
Welded  
Fire Rated: No  
Non 2" face

### EXB



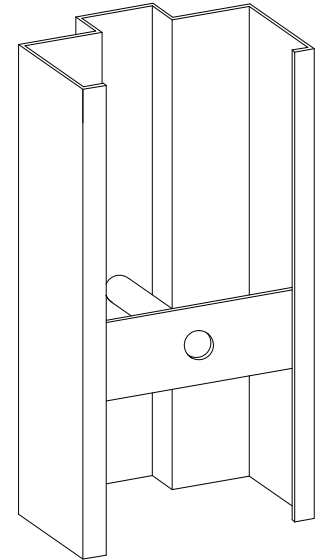
Expansion Butterfly  
P&D w/ Expandable Channel  
Welded  
Fire Rated: No  
2" face & 5/8" stop profile

### EMA/ATW



Existing Masonry Anchor  
All The Way  
P&D w/ Channel & Plate  
Welded  
Fire Rated: Yes  
2" face & 5/8" stop profile

### EMA/ATW



Existing Masonry Anchor  
All The Way  
P&D w/ Pipe and Plate  
Welded  
Fire Rated: Yes  
Non 2" face profile

## Concept Frames, Inc.

2015 Industrial Drive, Newton, NC 28658  
PH: 888-234-9455 Fax: 800-631-9089

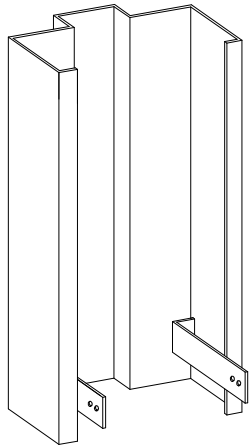
[www.ConceptFrames.Com](http://www.ConceptFrames.Com)

Drawn By: KX

Date: 12-08-2014

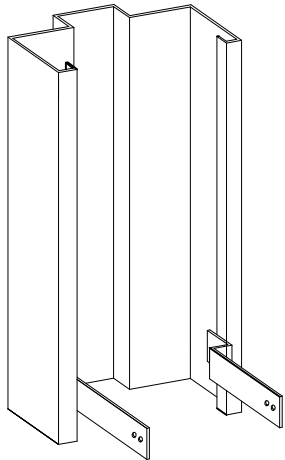
## Existing Masonry Anchors

SC



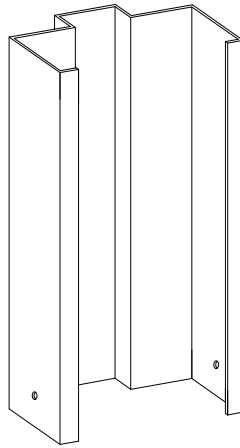
Sill Clip  
Shipped Loose  
Fire Rated: No

SC



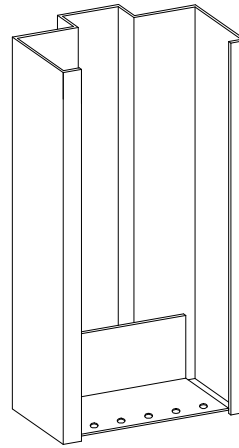
Sill Clip  
Welded  
Fire Rated: Yes

Sill Hole



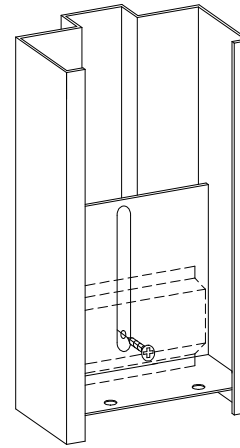
Sill Hole  
Fire Rated: Yes

Floor



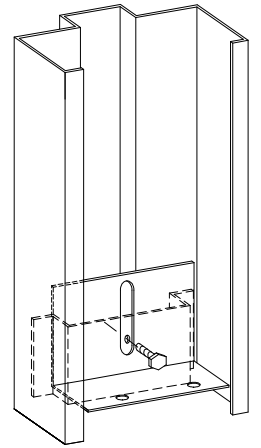
Floor Anchor  
Welded  
Fire Rated: Yes

Adj Floor



Adjustable Floor Anchor  
Welded  
Fire Rated: No

Adj Floor



Adjustable Floor Anchor  
Welded  
Fire Rated: Yes

**Concept Frames, Inc.**

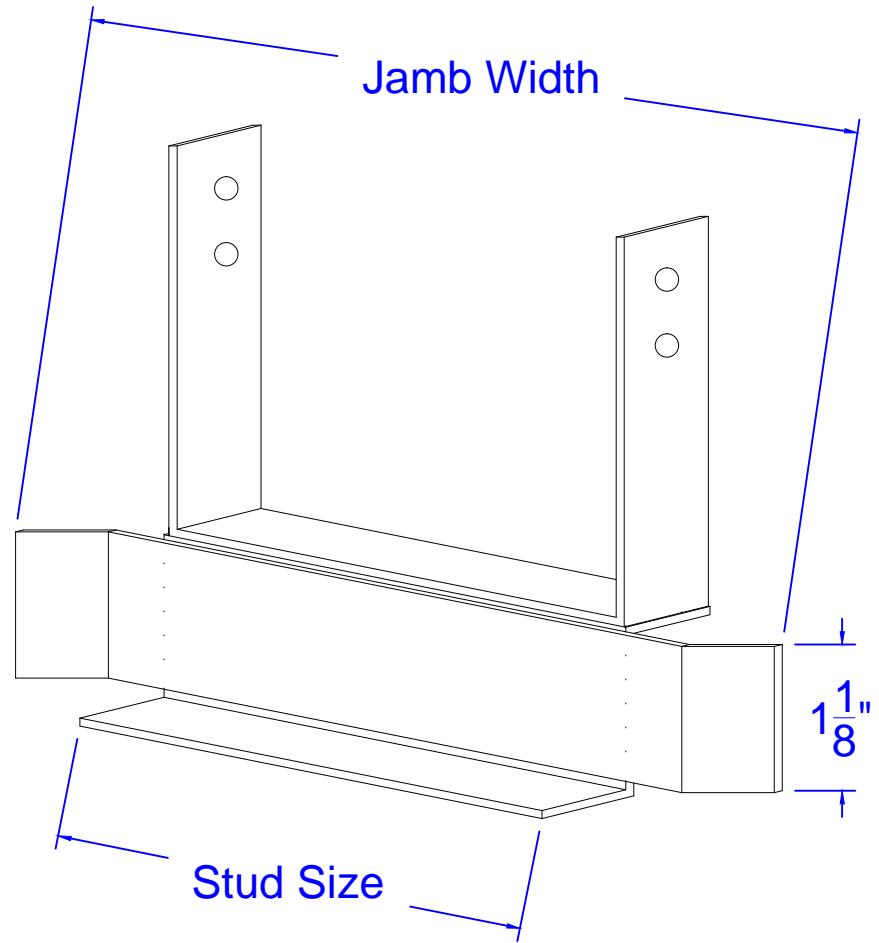
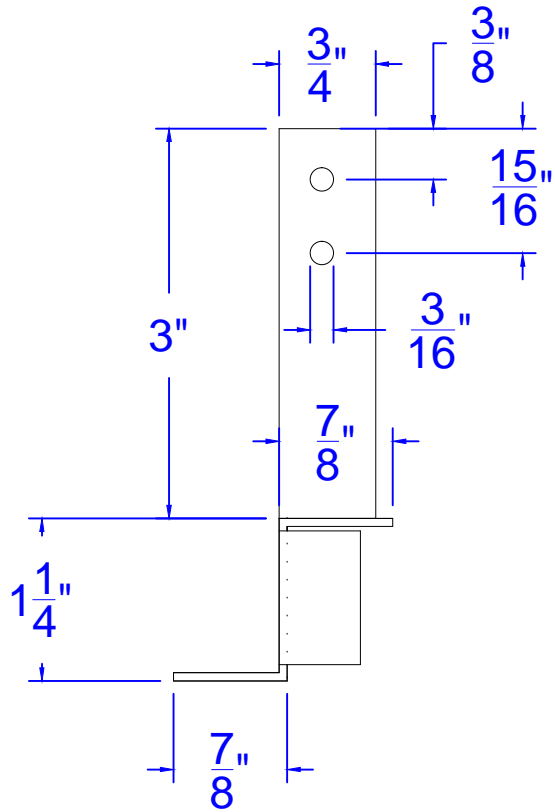
2015 Industrial Drive, Newton, NC 28658  
PH: 888-234-9455 Fax: 800-631-9089

[www.ConceptFrames.Com](http://www.ConceptFrames.Com)

Drawn By: KX

Date: 12-08-2014

**Floor & Bottom Anchors**



- 2 anchors per jamb up to 4'-11 15/16"
- 3 anchors per jamb at 5'-0" to 7'-5 15/16"
- 4 anchors per jamb at 7'-6" to 9'-11 15/16"
- 5 anchors per jamb at 10'-0" to 12'-0"

\* Indicate custom quantities on purchase order.

# Concept Frames, Inc.

2015 Industrial Drive, Newton, NC 28658  
PH: 888-234-9455 Fax: 800-631-9089

[www.ConceptFrames.Com](http://www.ConceptFrames.Com)

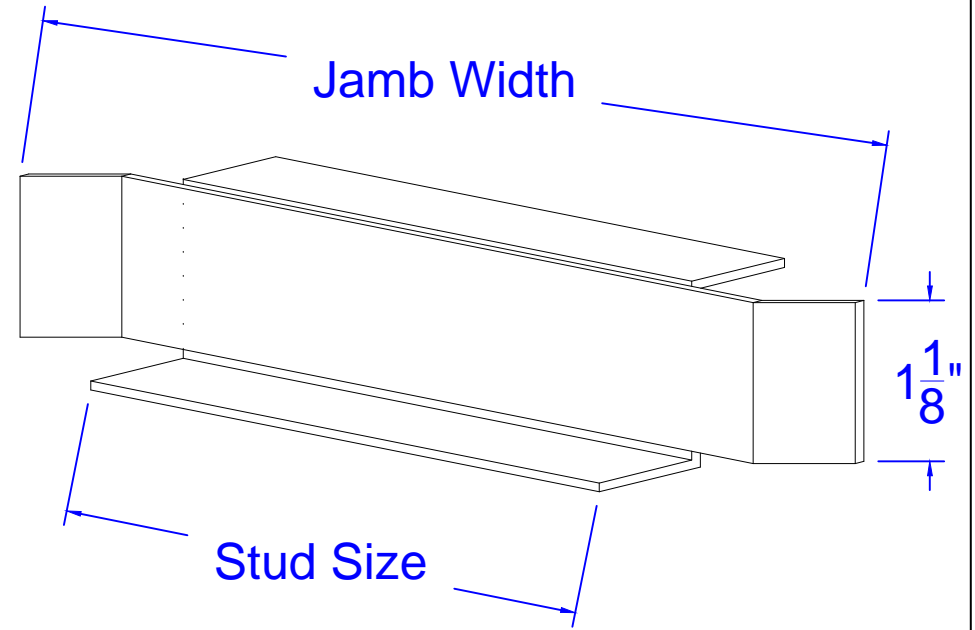
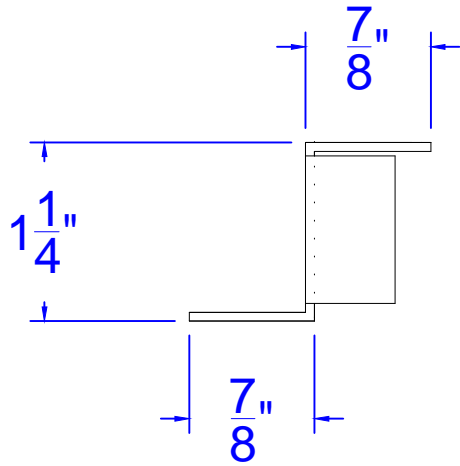
Drawn By: KX

Date: 1-20-2015

Snap In WSA (Snap In Wood Stud Anchor)

Shipped Loose

Fire Rated: No



- 2 anchors per jamb up to 4'-11 15/16"
- 3 anchors per jamb at 5'-0" to 7'-5 15/16"
- 4 anchors per jamb at 7'-6" to 9'-11 15/16"
- 5 anchors per jamb at 10'-0" to 12'-0"

\* Indicate custom quantities on purchase order.

## Concept Frames, Inc.

2015 Industrial Drive, Newton, NC 28658  
PH: 888-234-9455 Fax: 800-631-9089

[www.ConceptFrames.Com](http://www.ConceptFrames.Com)

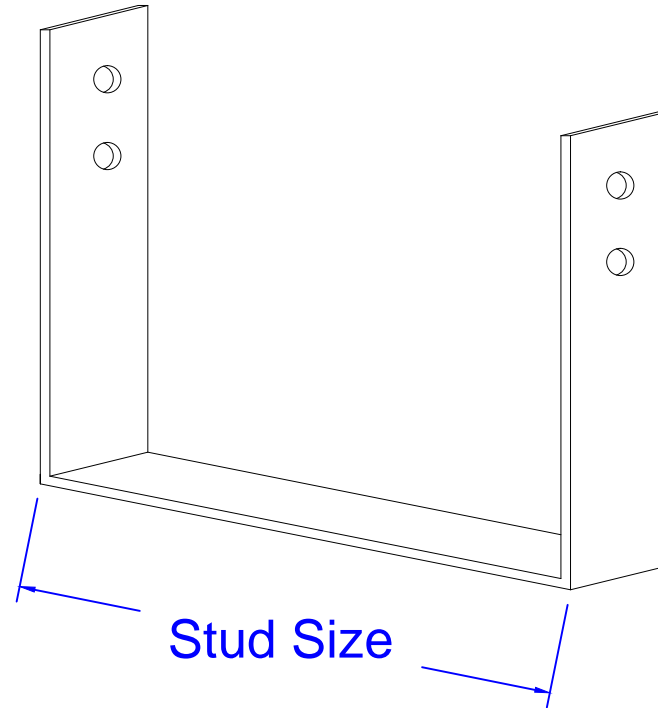
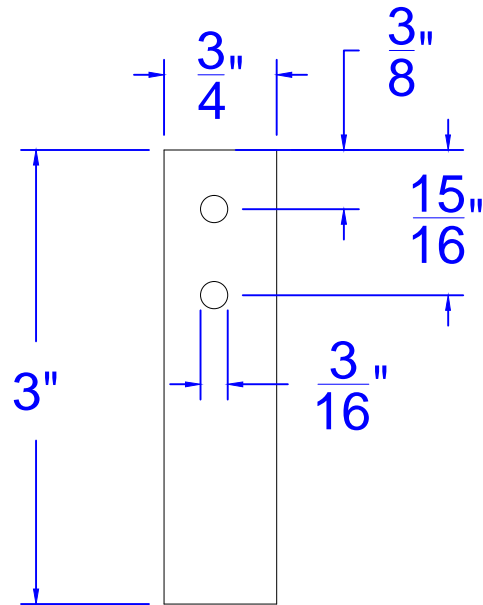
Drawn By: KX

Date: 1-20-2015

Snap In MSA (Snap In Metal Stud Anchor)

Shipped Loose

Fire Rated: No



- 2 anchors per jamb up to 4'-11 15/16"
- 3 anchors per jamb at 5'-0" to 7'-5 15/16"
- 4 anchors per jamb at 7'-6" to 9'-11 15/16"
- 5 anchors per jamb at 10'-0" to 12'-0"

- \* Anchors in transom sections are spaced as close to center of opening as possible.
- \* Indicate custom locations or quantities on purchase order.
- \* Fire rated anchors are spaced no more than 26" apart.

## Concept Frames, Inc.

2015 Industrial Drive, Newton, NC 28658  
PH: 888-234-9455 Fax: 800-631-9089

[www.ConceptFrames.Com](http://www.ConceptFrames.Com)

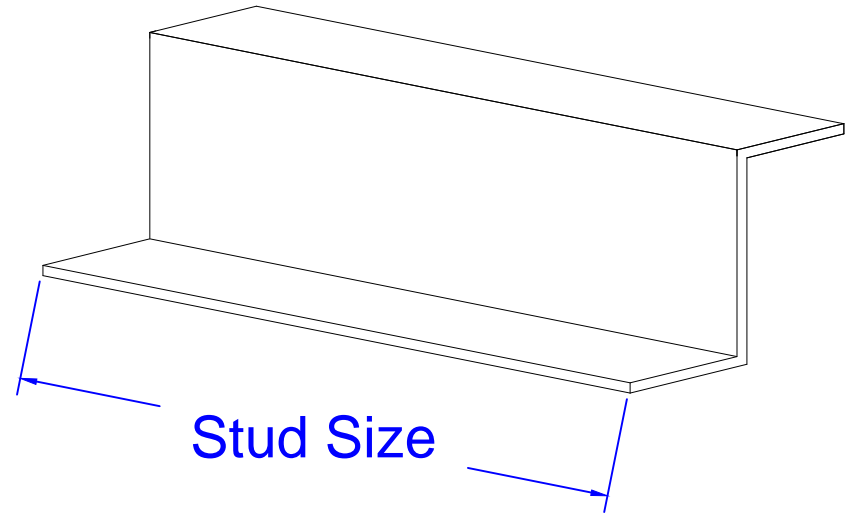
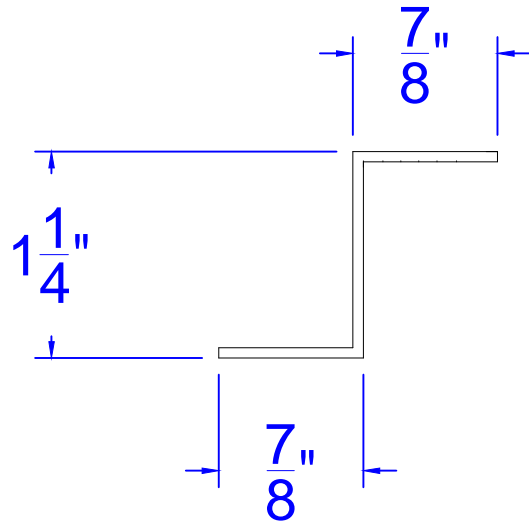
Drawn By: KX

Date: 1-20-2015

WSA (Wood Stud Anchor)

Welded

Fire Rated: Yes



- 2 anchors per jamb up to 4'-11 15/16"
- 3 anchors per jamb at 5'-0" to 7'-5 15/16"
- 4 anchors per jamb at 7'-6" to 9'-11 15/16"
- 5 anchors per jamb at 10'-0" to 12'-0"

- \* Anchors in transom sections are spaced as close to center of opening as possible.
- \* Indicate custom locations or quantities on purchase order.
- \* Fire rated anchors are spaced no more than 26" apart.

## Concept Frames, Inc.

2015 Industrial Drive, Newton, NC 28658  
PH: 888-234-9455 Fax: 800-631-9089

[www.ConceptFrames.Com](http://www.ConceptFrames.Com)

Drawn By: KX

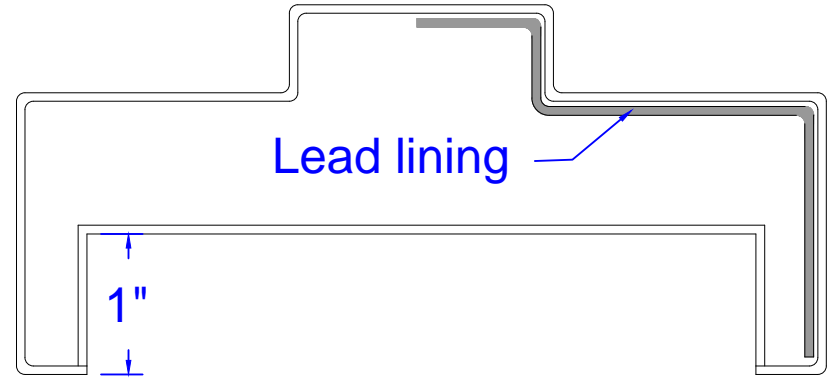
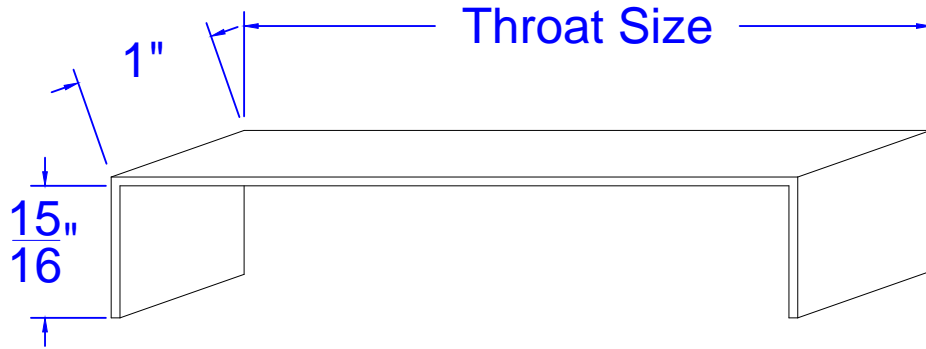
Date: 1-20-2015

MSA (Metal Stud Anchor)

Welded

Fire Rated: Yes





- 2 anchors per jamb up to 4'-11 15/16"
- 3 anchors per jamb at 5'-0" to 7'-5 15/16"
- 4 anchors per jamb at 7'-6" to 9'-11 15/16"
- 5 anchors per jamb at 10'-0" to 12'-0"

- \* Anchors in transom sections are spaced as close to center of opening as possible.
- \* Indicate custom locations or quantities on purchase order.
- \* Not Fire Rated

## Concept Frames, Inc.

2015 Industrial Drive, Newton, NC 28658  
PH: 888-234-9455 Fax: 800-631-9089

[www.ConceptFrames.Com](http://www.ConceptFrames.Com)

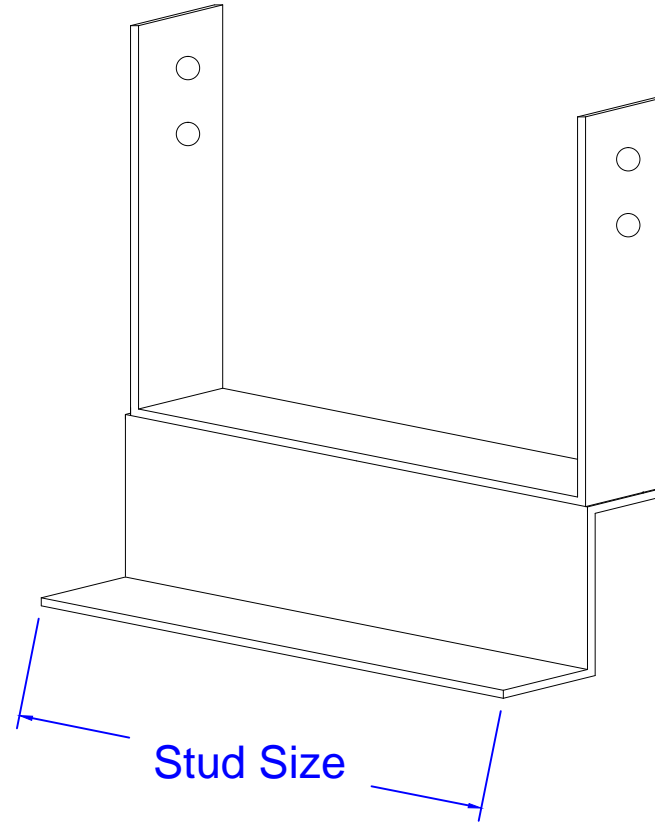
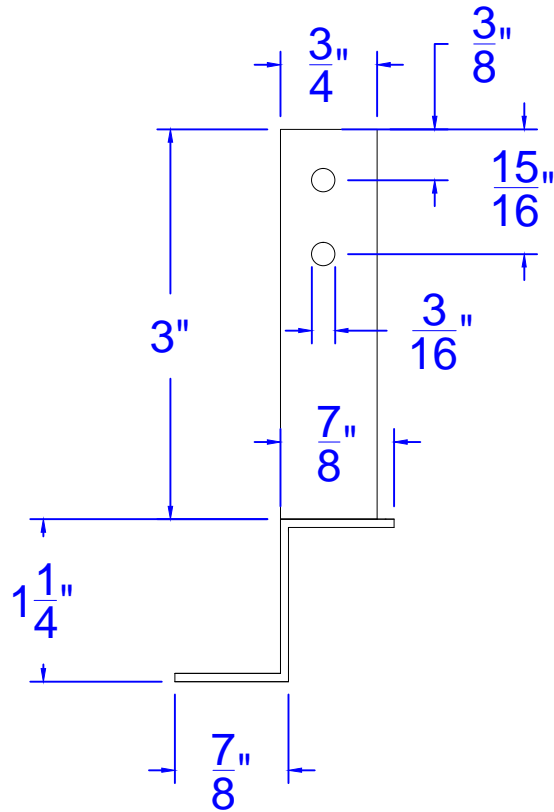
Drawn By: KX

Date: 1-20-2015

MSA (Metal Stud Anchor) - Lead lined frames with MSA

Welded

Fire Rated: No



- 2 anchors per jamb up to 4'-11 15/16"
- 3 anchors per jamb at 5'-0" to 7'-5 15/16"
- 4 anchors per jamb at 7'-6" to 9'-11 15/16"
- 5 anchors per jamb at 10'-0" to 12'-0"

- \* Anchors in transom sections are spaced as close to center of opening as possible.
- \* Indicate custom locations or quantities on purchase order.
- \* Fire rated anchors are spaced no more than 26" apart.

## Concept Frames, Inc.

2015 Industrial Drive, Newton, NC 28658  
PH: 888-234-9455 Fax: 800-631-9089

[www.ConceptFrames.Com](http://www.ConceptFrames.Com)

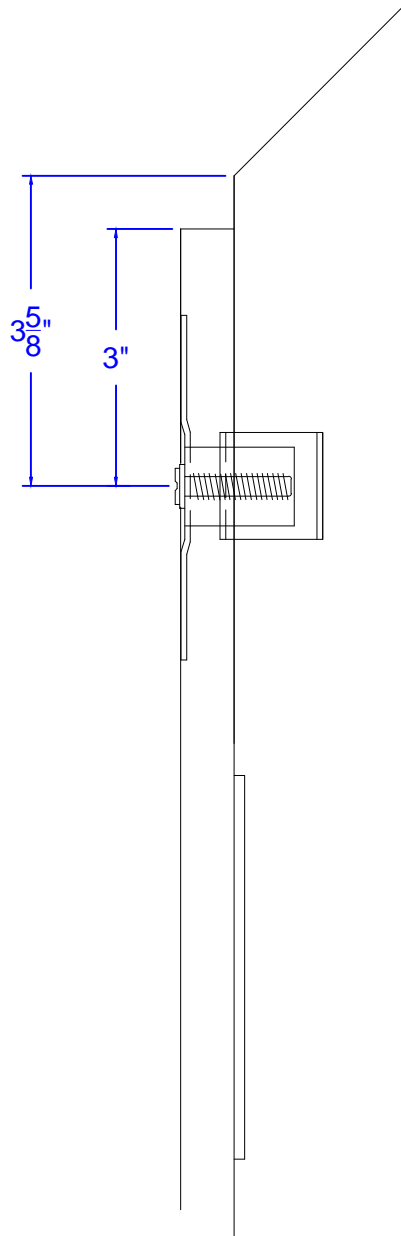
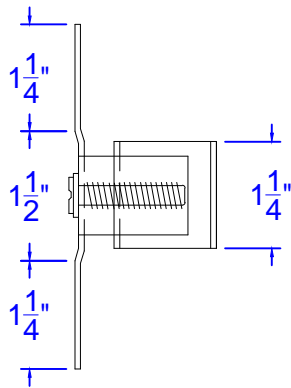
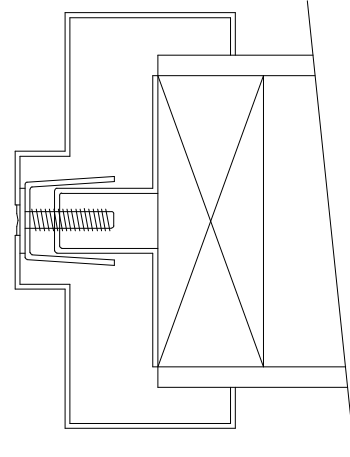
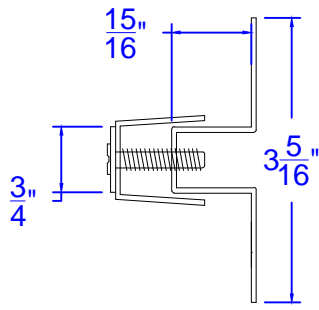
Drawn By: KX

Date: 1-20-2015

MSA/WSA combo (Metal and wood stud combination Anchor)

Welded

Fire Rated: Yes



- \* Anchor is typically used on knock down frames
- \* Used in conjunction with sill clips or sill holes
- \* Fire rating limitations: 3 1/2" - 8 1/2" throat  
See fire rating procedure for more information.

**Concept Frames, Inc.**  
2015 Industrial Drive, Newton, NC 28658  
PH: 888-234-9455 Fax: 800-631-9089  
[www.ConceptFrames.Com](http://www.ConceptFrames.Com)

Drawn By: KX

Date: 1-20-2015

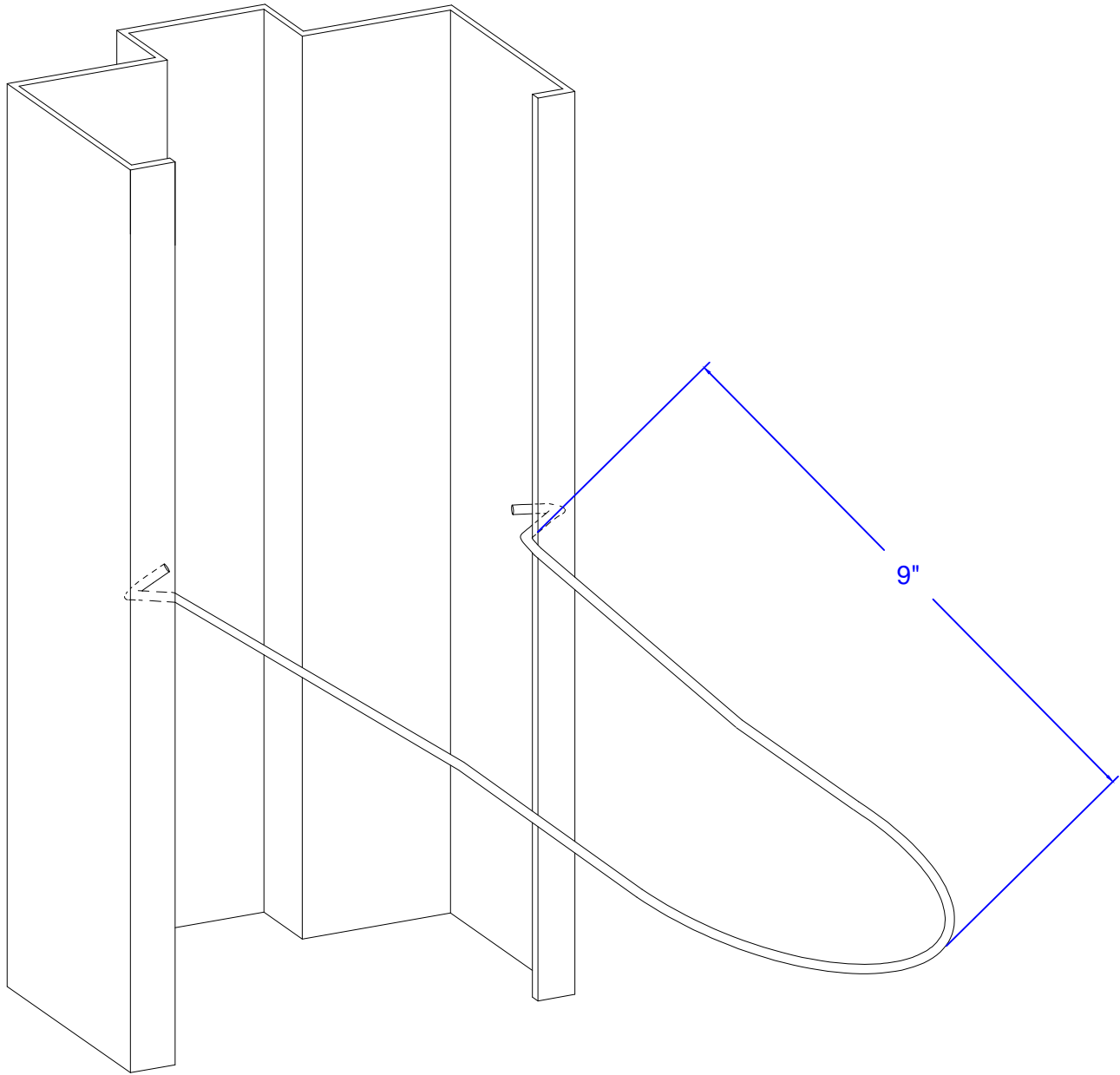
CA (Compression Anchor)

Welded

Fire Rated: Yes

Not to scale

\* Adjustable from 4 1/2" - 8 3/4" wide



- 2 anchors per jamb up to 4'-11 15/16"
- 3 anchors per jamb at 5'-0" to 7'-5 15/16"
- 4 anchors per jamb at 7'-6" to 9'-11 15/16"
- 5 anchors per jamb at 10'-0" to 12'-0"

\* Indicate different quantities on purchase order.

**Concept Frames, Inc.**  
2015 Industrial Drive, Newton, NC 28658  
PH: 888-234-9455 Fax: 800-631-9089  
[www.ConceptFrames.Com](http://www.ConceptFrames.Com)

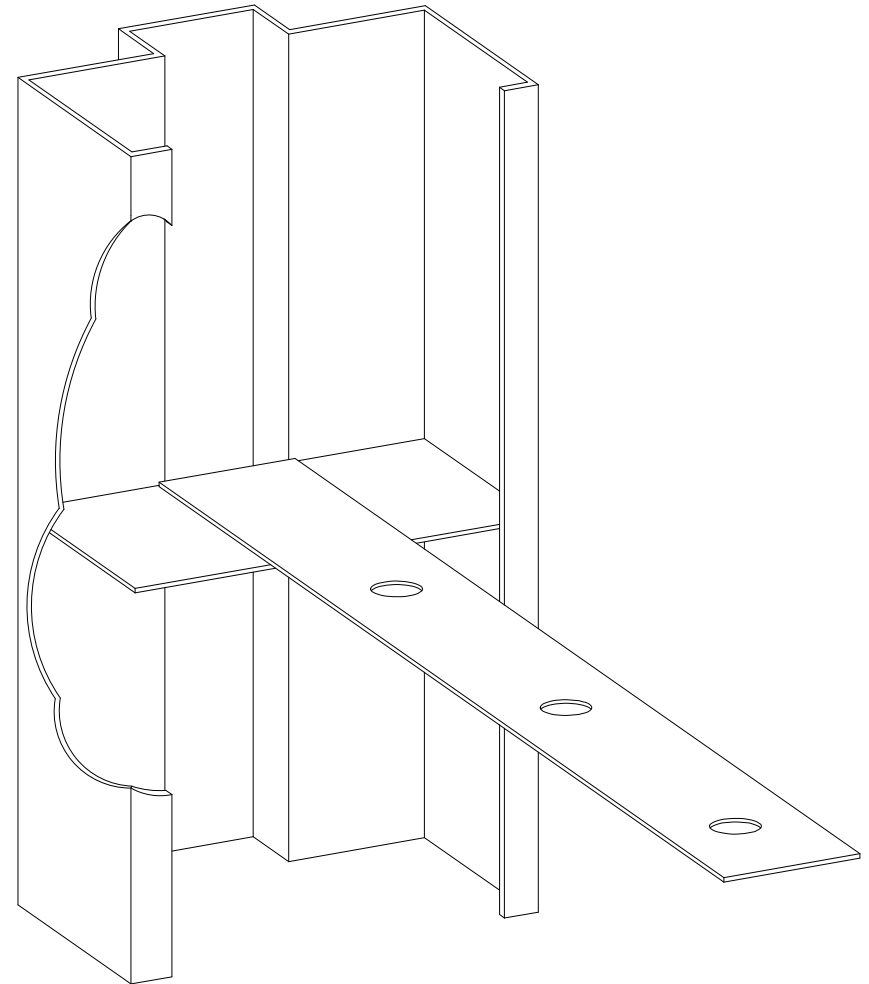
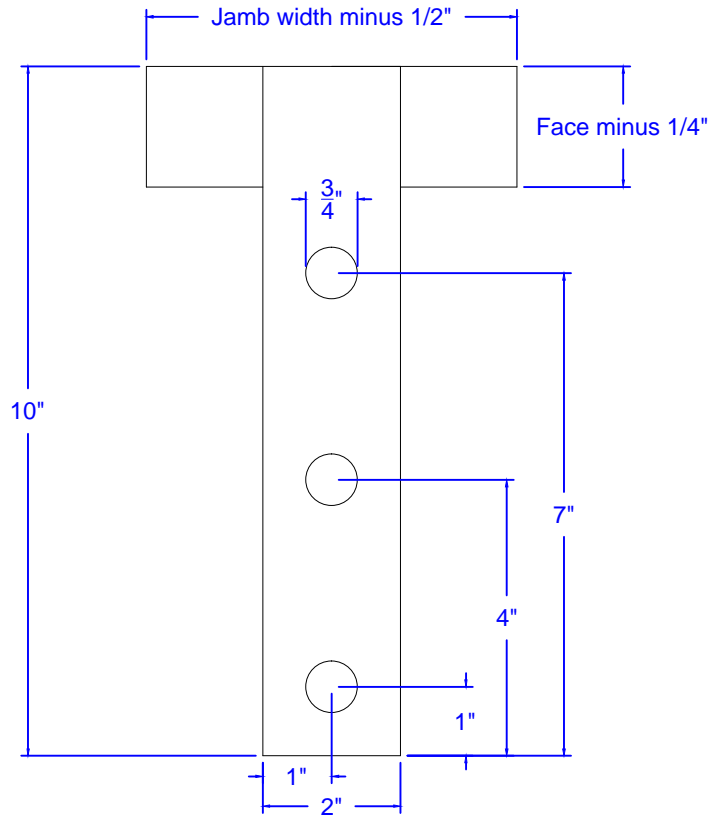
Drawn By: KX

Date: 1-20-2015

Wire (Wire Anchor)

Shipped Loose

Fire Rated: No



- 2 anchors per jamb up to 4'-11 15/16"
- 3 anchors per jamb at 5'-0" to 7'-5 15/16"
- 4 anchors per jamb at 7'-6" to 9'-11 15/16"
- 5 anchors per jamb at 10'-0" to 12'-0"

\* Indicate different quantities on purchase order.

# Concept Frames, Inc.

2015 Industrial Drive, Newton, NC 28658  
PH: 888-234-9455 Fax: 800-631-9089

[www.ConceptFrames.Com](http://www.ConceptFrames.Com)

Drawn By: KX

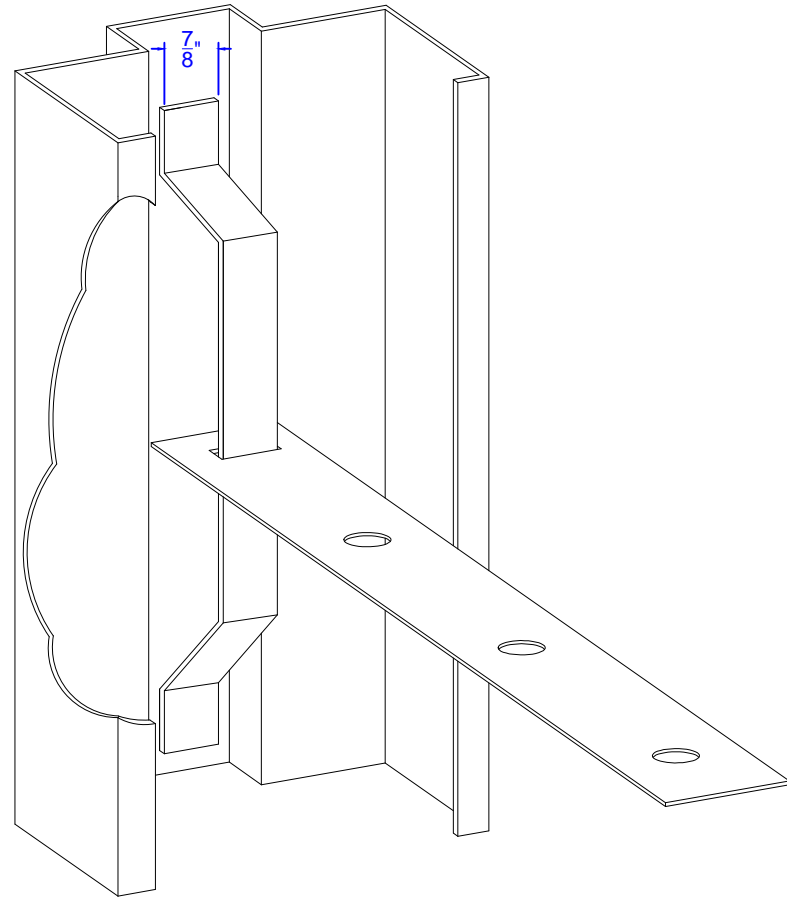
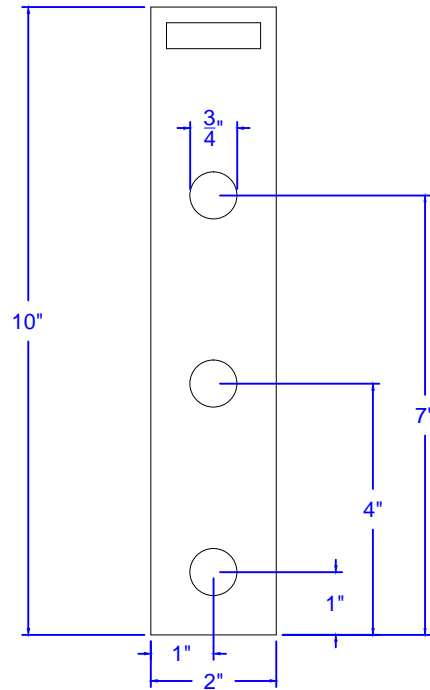
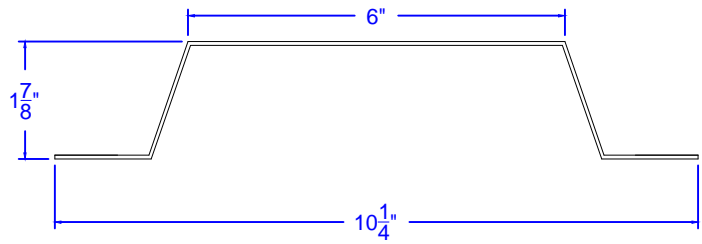
Date: 1-20-2015

T-Anchor (Masonry "T" Anchor)

Shipped Loose

Fire Rated: No

Not to scale



- 2 anchors per jamb up to 4'-11 15/16"
- 3 anchors per jamb at 5'-0" to 7'-5 15/16"
- 4 anchors per jamb at 7'-6" to 9'-11 15/16"
- 5 anchors per jamb at 10'-0" to 12'-0"

\* Anchors in transom sections are spaced as close to center of opening as possible.  
\* Indicate custom locations or quantities on purchase order.  
\* Fire rated anchors are spaced no more than 26" apart.

# Concept Frames, Inc.

2015 Industrial Drive, Newton, NC 28658  
PH: 888-234-9455 Fax: 800-631-9089

[www.ConceptFrames.Com](http://www.ConceptFrames.Com)

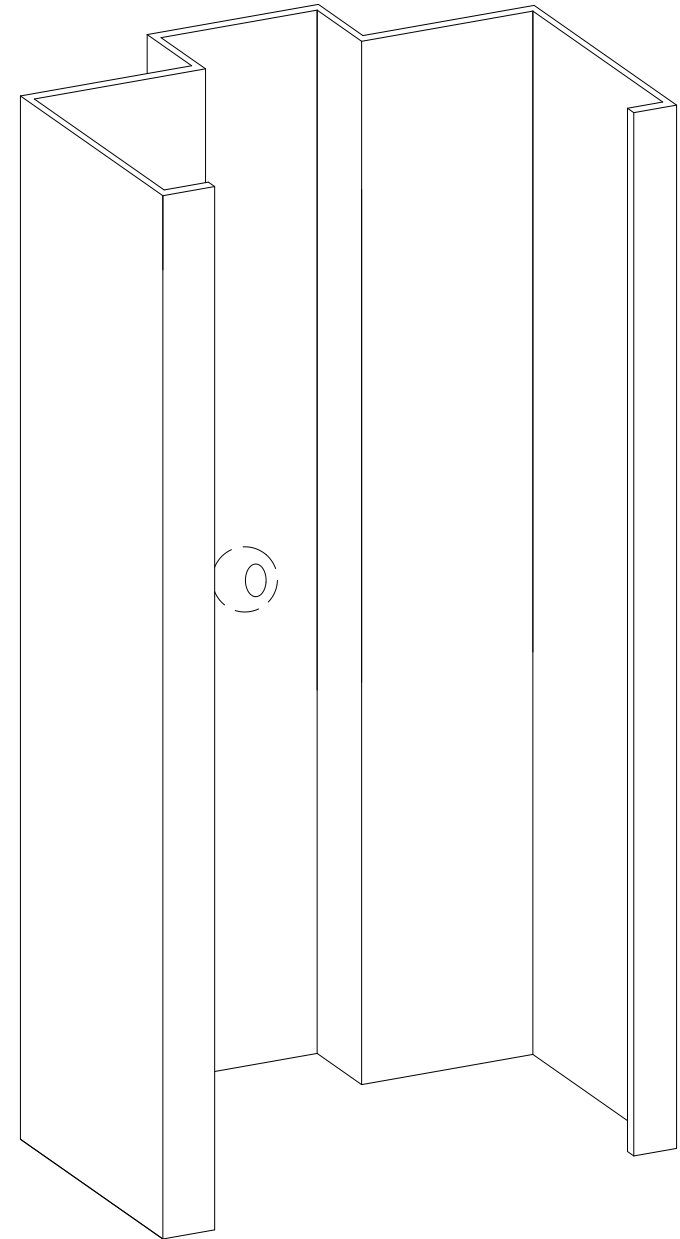
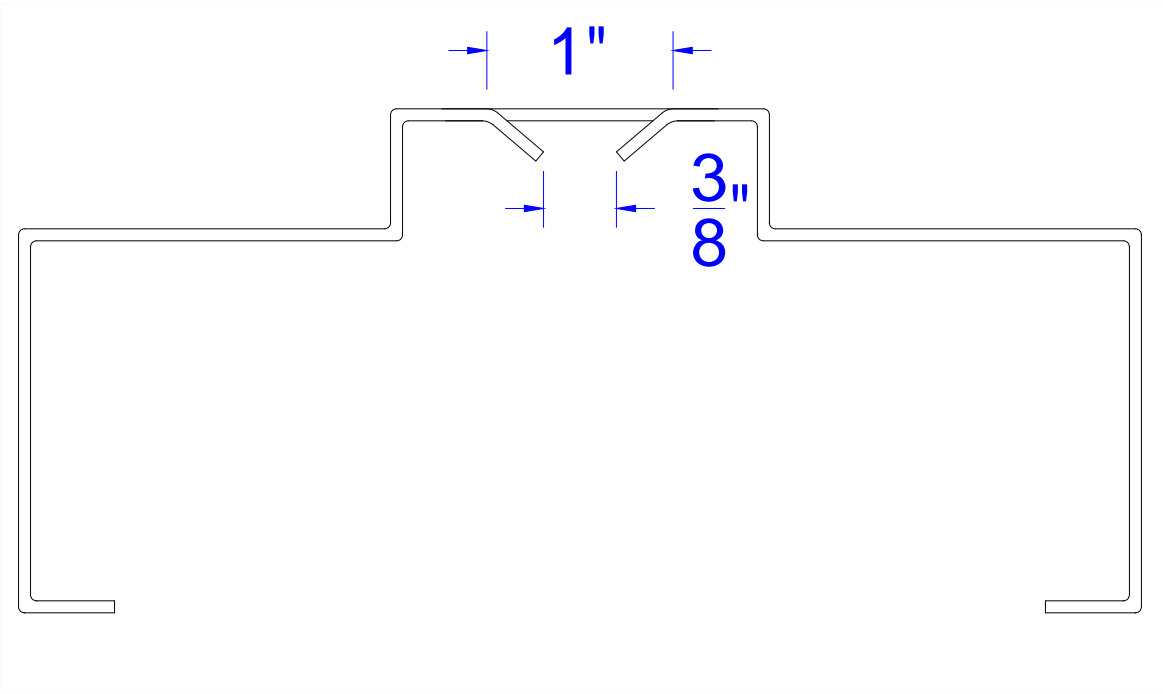
Drawn By: KX

Date: 1-20-2015

Y&S (Yoke and Strap)

Welded

Fire Rated: Yes



Top and bottom anchors are spaced at 6"  
2 anchors per jamb up to 4'-11 15/16"  
3 anchors per jamb at 5'-0" to 7'-5 15/16"  
4 anchors per jamb at 7'-6" to 9'-11 15/16"  
5 anchors per jamb at 10'-0" to 12'-0"

- \* Anchors in transom sections are spaced as close to center of opening as possible.
- \* Indicate custom locations or quantities on purchase order.
- \* 3/8" flat head Phillips sleeve anchor bolts provided by Concept Frames.

## Concept Frames, Inc.

2015 Industrial Drive, Newton, NC 28658  
PH: 888-234-9455 Fax: 800-631-9089

[www.ConceptFrames.Com](http://www.ConceptFrames.Com)

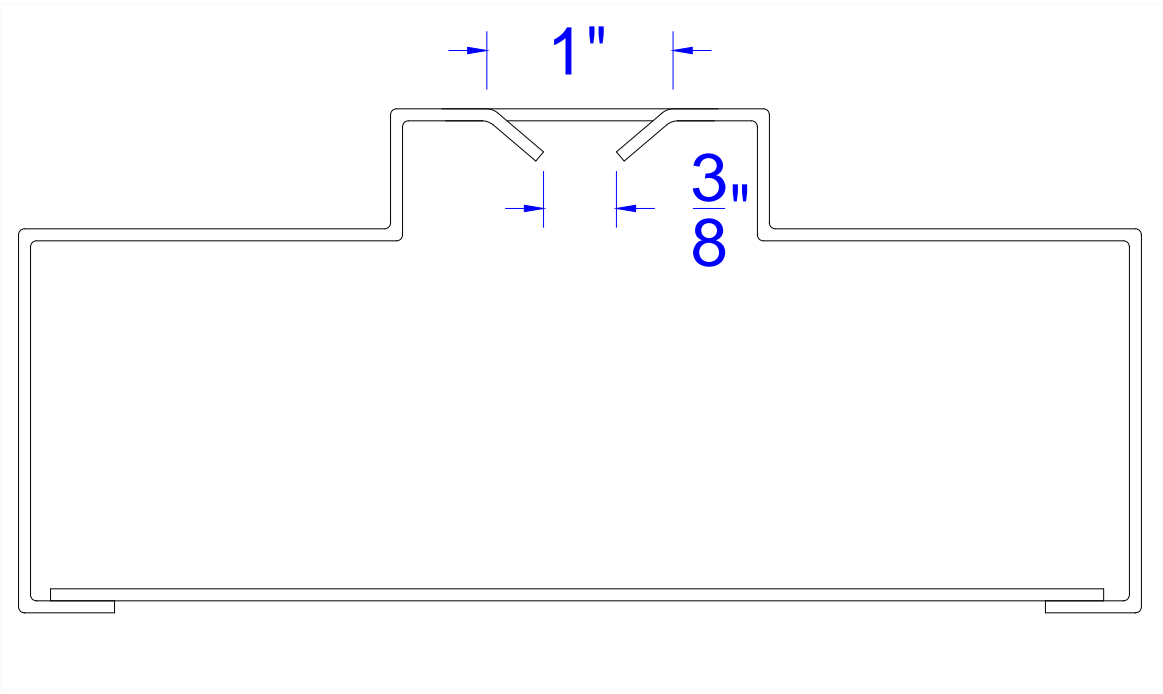
Drawn By: KX

Date: 1-21-2015

P&D (Pierce and Dimple)

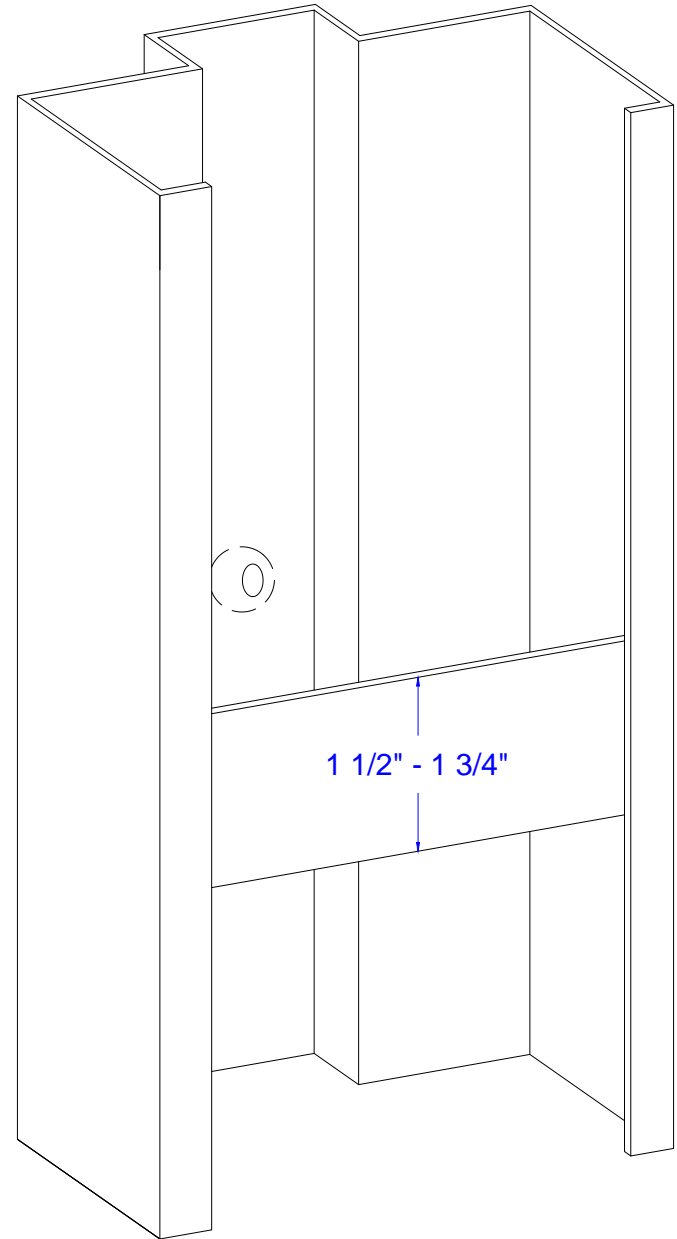
Fire Rated: No

- \* Bracing plate is offset from hole.
- \* Anchor is typically used on frames with faces larger or smaller than 2".



- Top and bottom anchors are spaced at 6"
- 2 anchors per jamb up to 4'-11 15/16"
- 3 anchors per jamb at 5'-0" to 7'-5 15/16"
- 4 anchors per jamb at 7'-6" to 9'-11 15/16"
- 5 anchors per jamb at 10'-0" to 12'-0"

- \* Anchors in transom sections are spaced as close to center of opening as possible.
- \* Indicate custom locations or quantities on purchase order.
- \* 3/8" flat head Phillips sleeve anchor bolts provided by Concept Frames.



# Concept Frames, Inc.

2015 Industrial Drive, Newton, NC 28658  
PH: 888-234-9455 Fax: 800-631-9089  
[www.ConceptFrames.Com](http://www.ConceptFrames.Com)

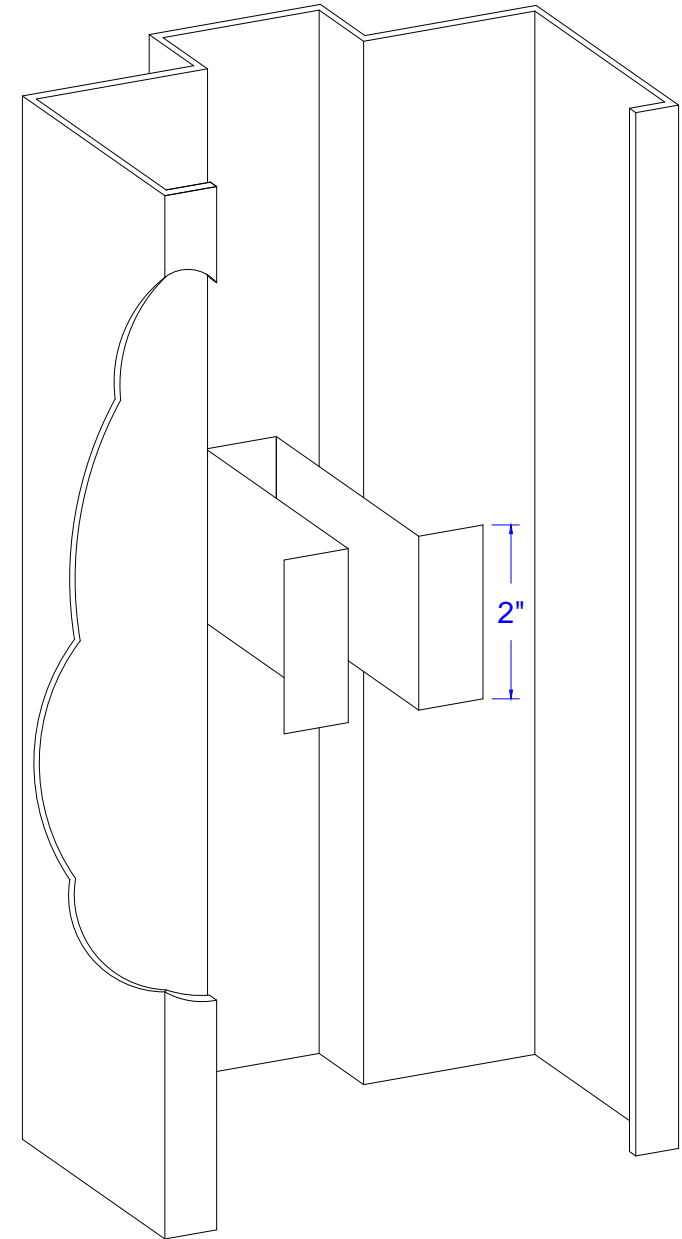
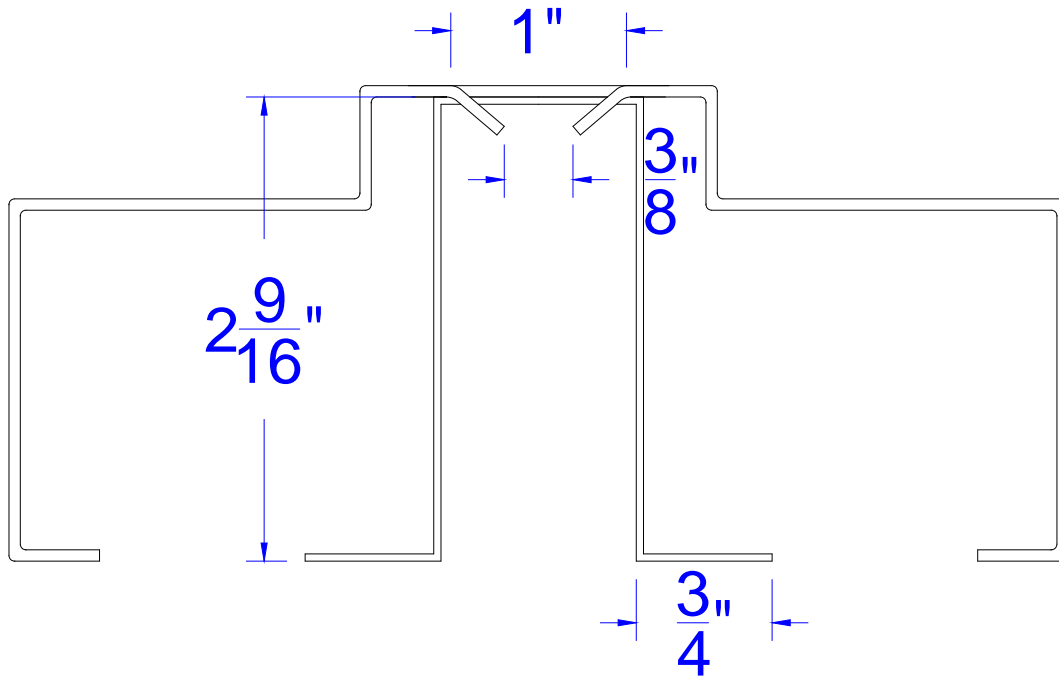
Drawn By: KX

Date: 1-21-2015

EMA (Existing Masonry Anchor) - P&D with plate  
Welded  
Fire Rated: No



\* Anchor is typically used on frames with 2" faces and 5/8" stops



Top and bottom anchors are spaced at 6"  
2 anchors per jamb up to 4'-11 15/16"  
3 anchors per jamb at 5'-0" to 7'-5 15/16"  
4 anchors per jamb at 7'-6" to 9'-11 15/16"  
5 anchors per jamb at 10'-0" to 12'-0"

\* Anchors in transom sections are spaced as close to center of opening as possible.  
\* Indicate custom locations or quantities on purchase order.  
\* 3/8" flat head Phillips sleeve anchor bolts provided by Concept Frames.

## Concept Frames, Inc.

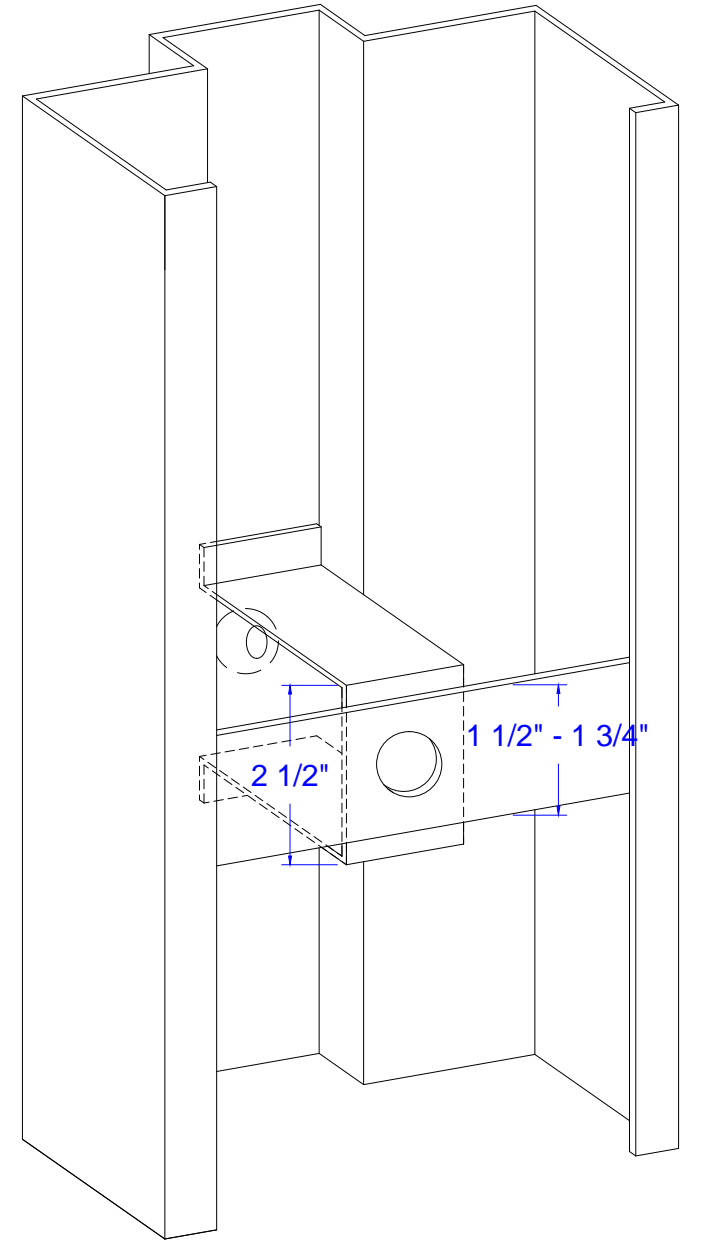
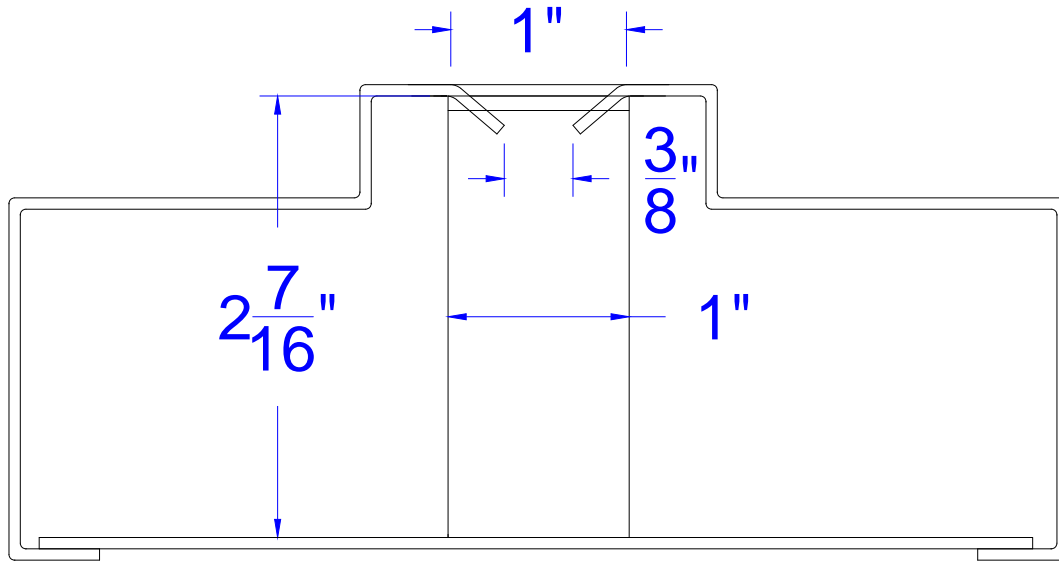
2015 Industrial Drive, Newton, NC 28658  
PH: 888-234-9455 Fax: 800-631-9089  
[www.ConceptFrames.Com](http://www.ConceptFrames.Com)

Drawn By: KX

Date: 1-21-2015

EXB (Expansion Butterfly) - P&D with expandable channel  
Welded  
Fire Rated: No

\* Anchor is typically used on frames with 2" faces and 5/8" stops



- Top and bottom anchors are spaced at 6"
- 2 anchors per jamb up to 4'-11 15/16"
- 3 anchors per jamb at 5'-0" to 7'-5 15/16"
- 4 anchors per jamb at 7'-6" to 9'-11 15/16"
- 5 anchors per jamb at 10'-0" to 12'-0"

- \* Anchors in transom sections are spaced as close to center of opening as possible.
- \* Indicate custom locations or quantities on purchase order.
- \* 3/8" flat head Phillips sleeve anchor bolts provided by Concept Frames.
- \* Fire rated anchors are spaced no more than 24" apart.

# Concept Frames, Inc.

2015 Industrial Drive, Newton, NC 28658  
PH: 888-234-9455 Fax: 800-631-9089

[www.ConceptFrames.Com](http://www.ConceptFrames.Com)

Drawn By: KX

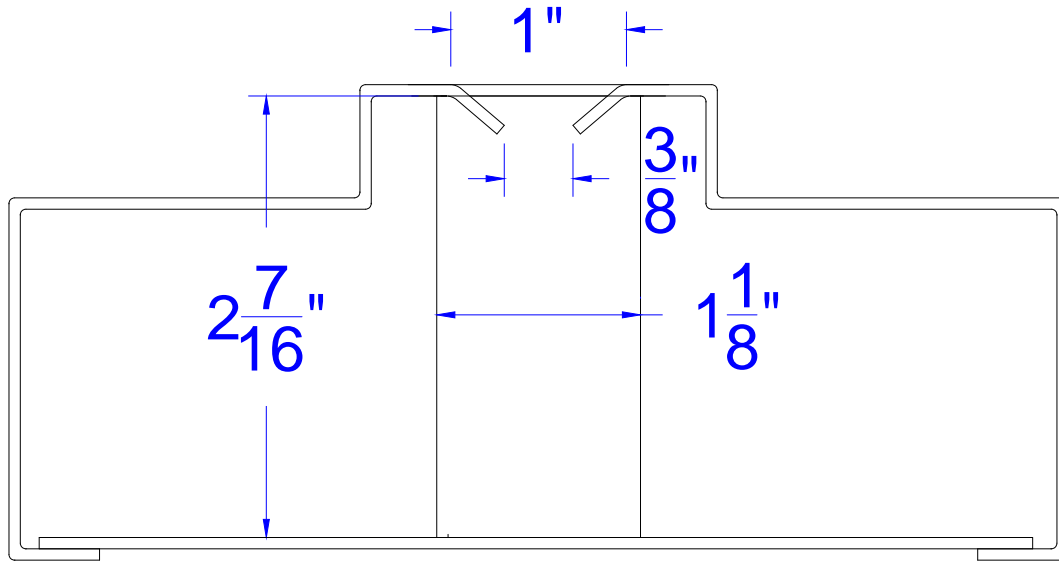
Date: 1-21-2015

EMA/ATW (EMA All The Way) - P&D with channel and plate

Welded

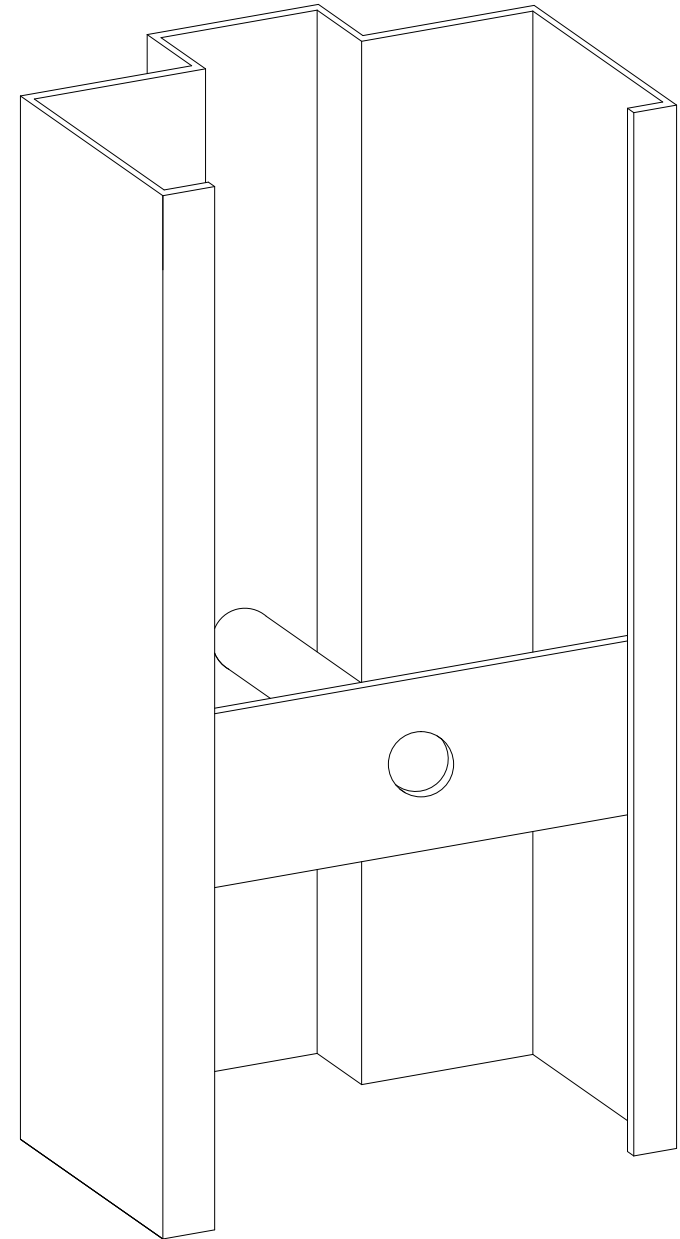
Fire Rated: Yes

\* Anchor is typically used on frames with faces larger or smaller than 2".



Top and bottom anchors are spaced at 6"  
 2 anchors per jamb up to 4'-11 15/16"  
 3 anchors per jamb at 5'-0" to 7'-5 15/16"  
 4 anchors per jamb at 7'-6" to 9'-11 15/16"  
 5 anchors per jamb at 10'-0" to 12'-0"

- \* Anchors in transom sections are spaced as close to center of opening as possible.
- \* Indicate custom locations or quantities on purchase order.
- \* 3/8" flat head Phillips sleeve anchor bolts provided by Concept Frames.
- \* Fire rated anchors are spaced no more than 24" apart.



# Concept Frames, Inc.

2015 Industrial Drive, Newton, NC 28658  
PH: 888-234-9455 Fax: 800-631-9089

[www.ConceptFrames.Com](http://www.ConceptFrames.Com)

Drawn By: KX

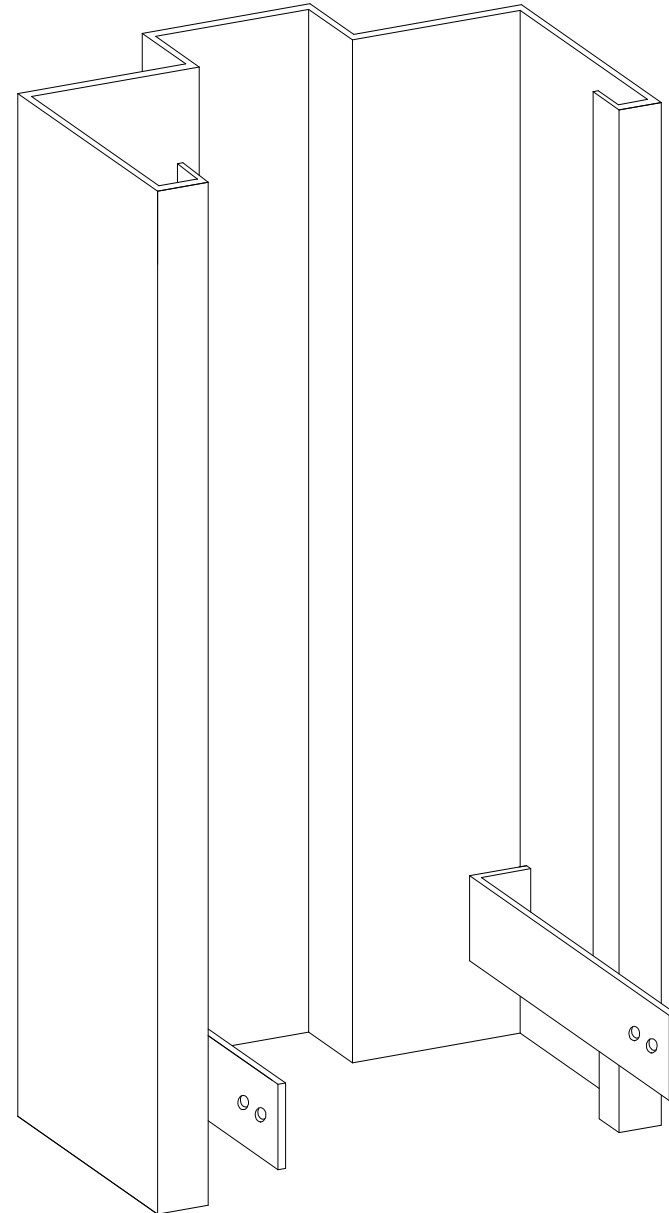
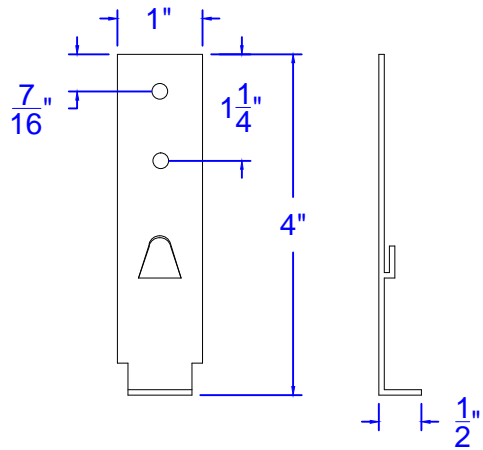
Date: 1-21-2015

EMA/ATW (EMA All The Way) - P&D with pipe and plate

Welded

Fire Rated: Yes

Not to scale



# Concept Frames, Inc.

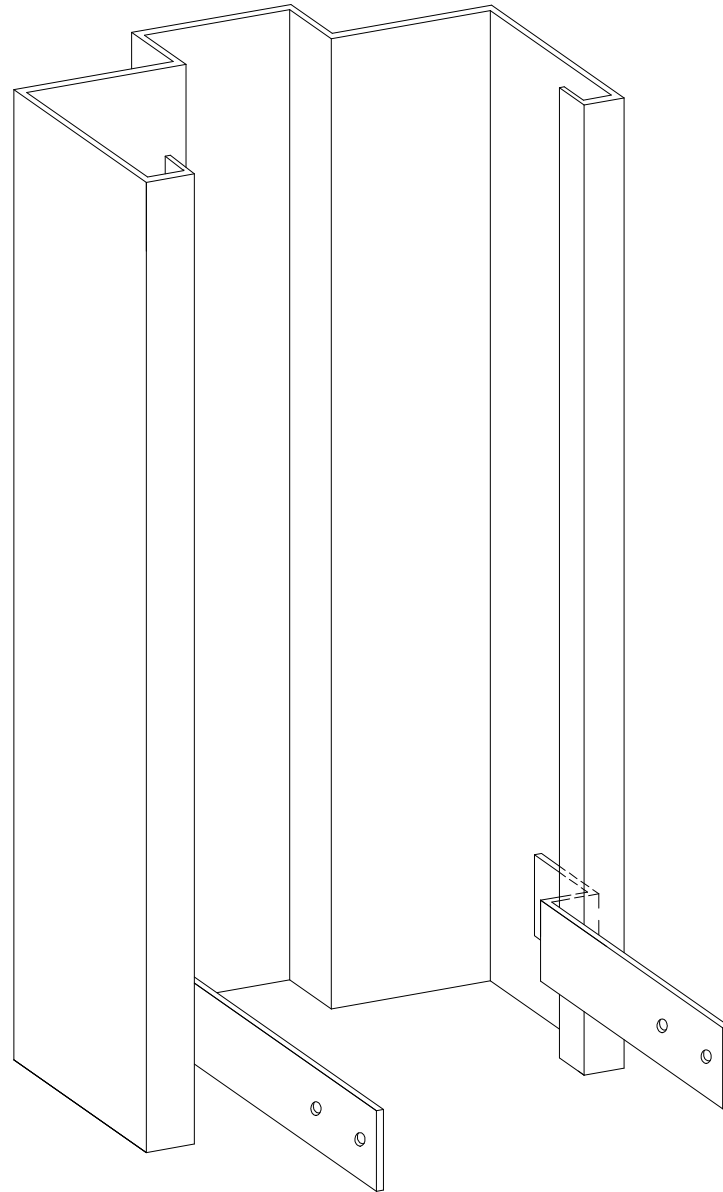
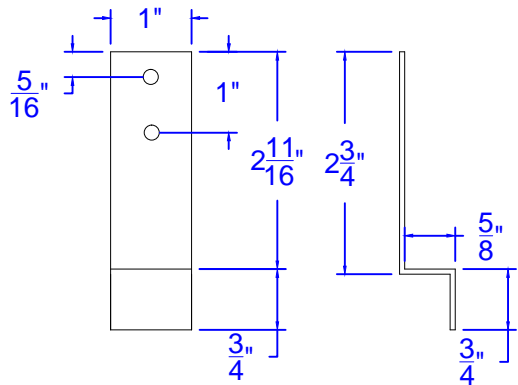
2015 Industrial Drive, Newton, NC 28658  
PH: 888-234-9455 Fax: 800-631-9089

[www.ConceptFrames.Com](http://www.ConceptFrames.Com)

Drawn By: KX

Date: 1-20-2015

SC (Sill Clip)  
Shipped Loose  
Fire Rated: No



# Concept Frames, Inc.

2015 Industrial Drive, Newton, NC 28658  
PH: 888-234-9455 Fax: 800-631-9089

[www.ConceptFrames.Com](http://www.ConceptFrames.Com)

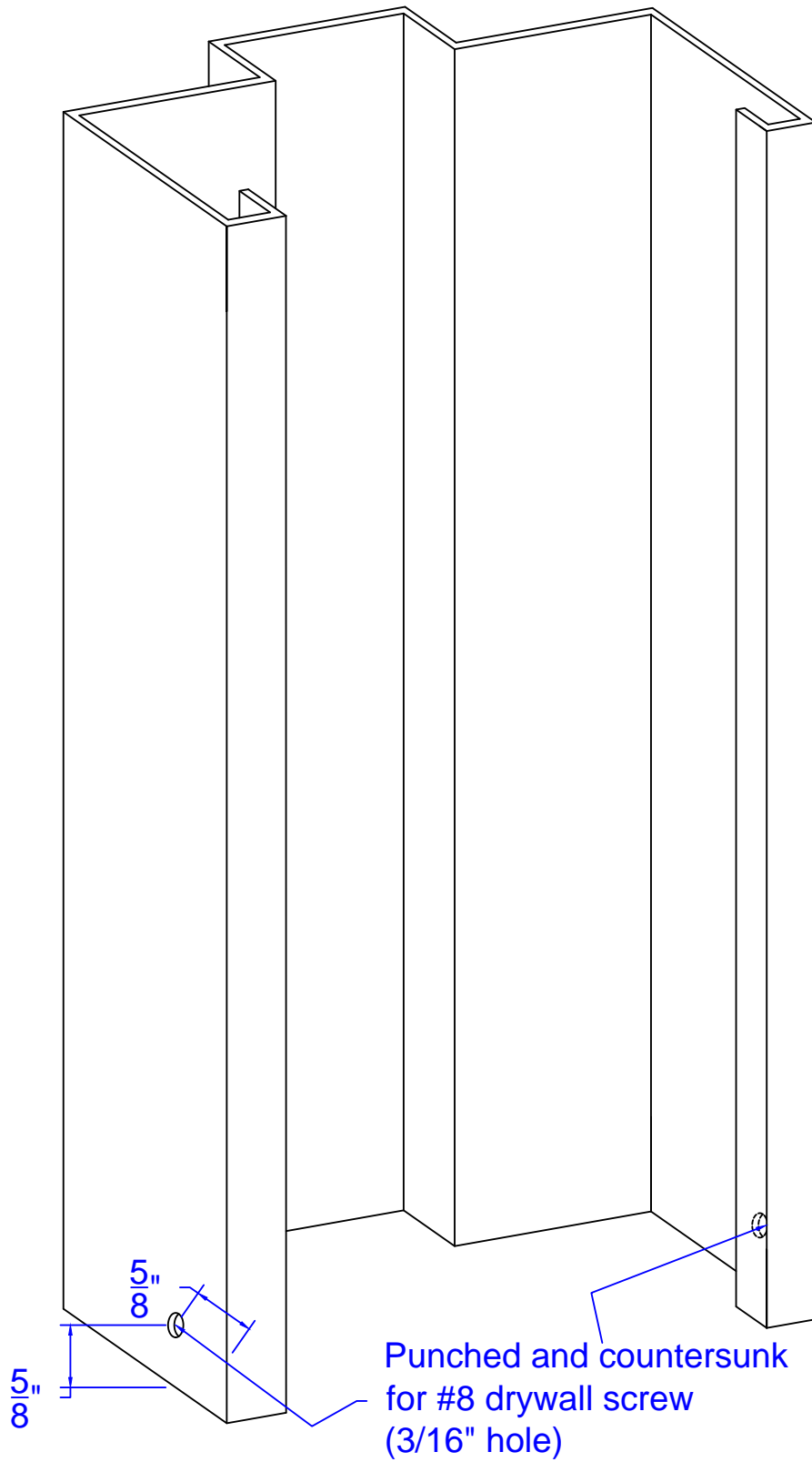
Drawn By: KX

Date: 1-20-2015

SC (Sill Clip)

Welded

Fire Rated: Yes

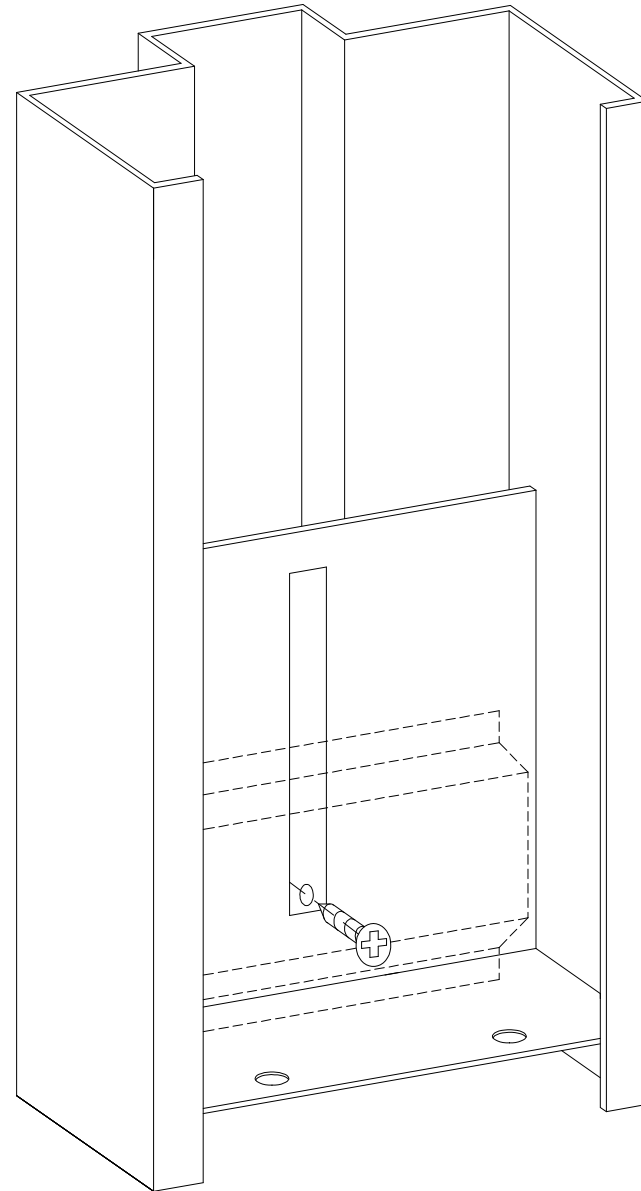
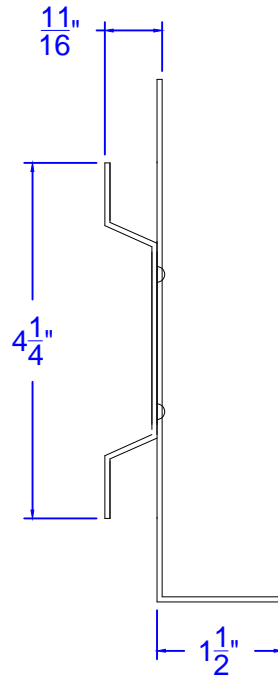
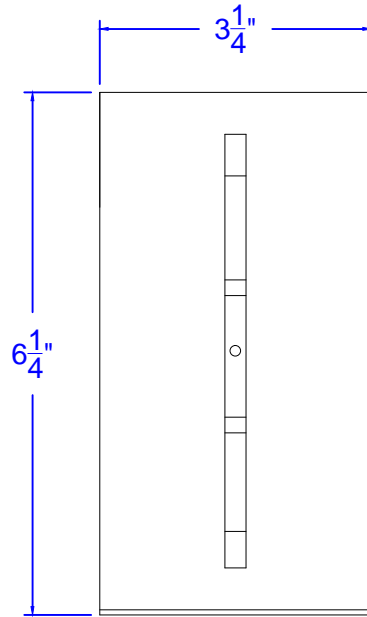


**Concept Frames, Inc.**  
2015 Industrial Drive, Newton, NC 28658  
PH: 888-234-9455 Fax: 800-631-9089  
[www.ConceptFrames.Com](http://www.ConceptFrames.Com)

Drawn By: KX

Date: 1-20-2015

Sill Hole  
Fire Rated: Yes



# Concept Frames, Inc.

2015 Industrial Drive, Newton, NC 28658  
PH: 888-234-9455 Fax: 800-631-9089

[www.ConceptFrames.Com](http://www.ConceptFrames.Com)

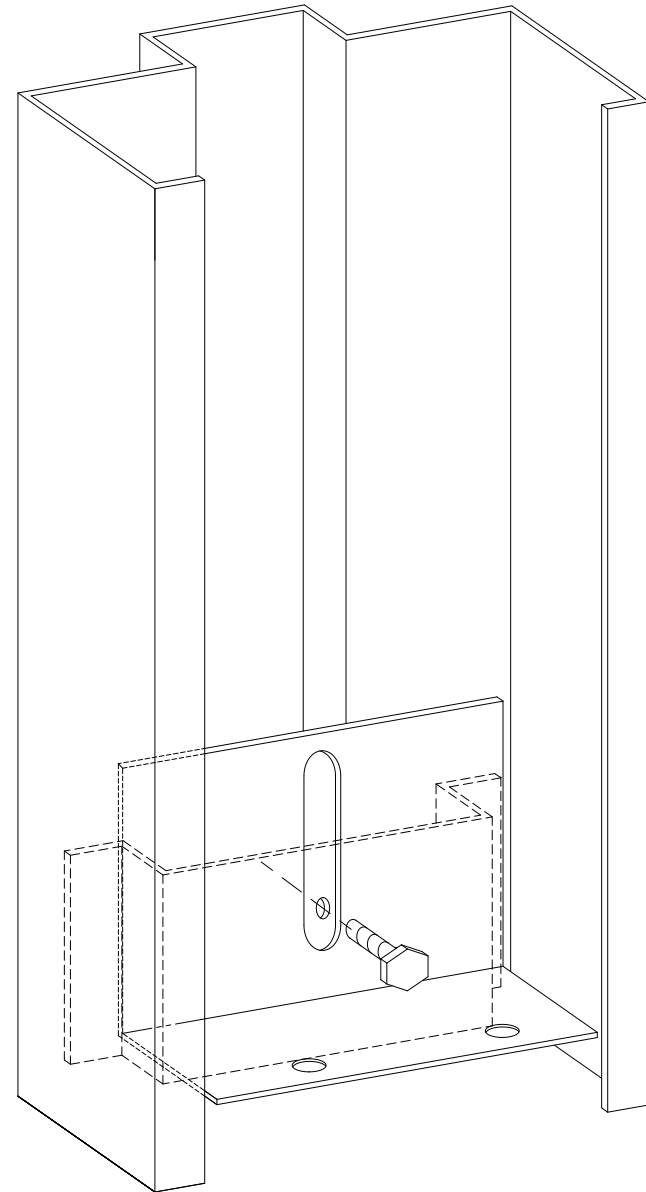
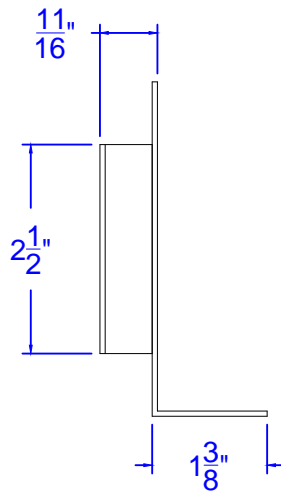
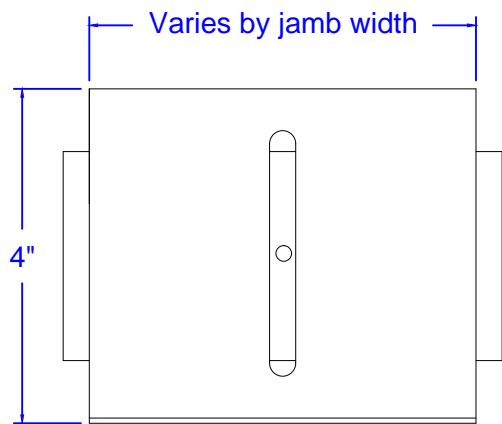
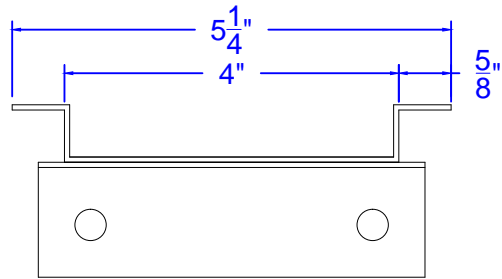
Drawn By: KX

Date: 1-20-2015

Adjustable Floor Anchor

Welded

Fire Rated: No



# Concept Frames, Inc.

2015 Industrial Drive, Newton, NC 28658  
PH: 888-234-9455 Fax: 800-631-9089

[www.ConceptFrames.Com](http://www.ConceptFrames.Com)

Drawn By: KX

Date: 1-20-2015

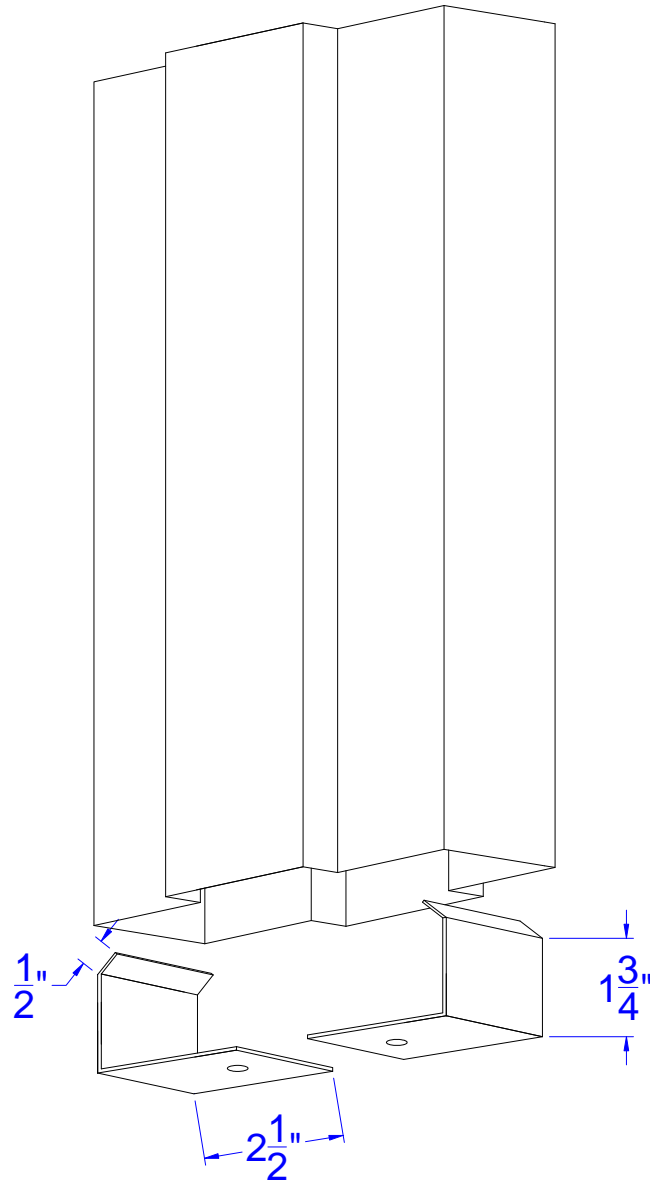
Adjustable Floor Anchor

Welded

Fire Rated: Yes



Not to scale



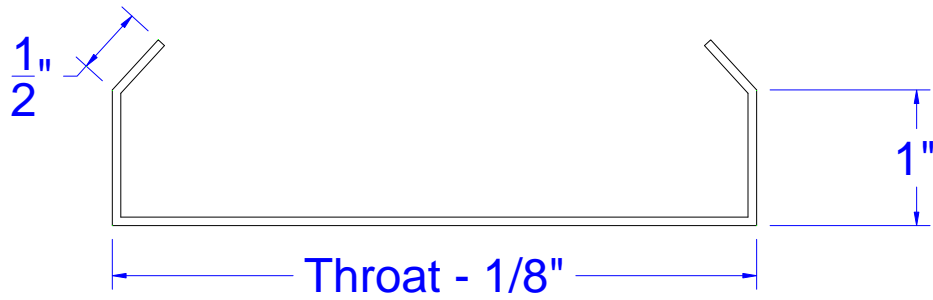
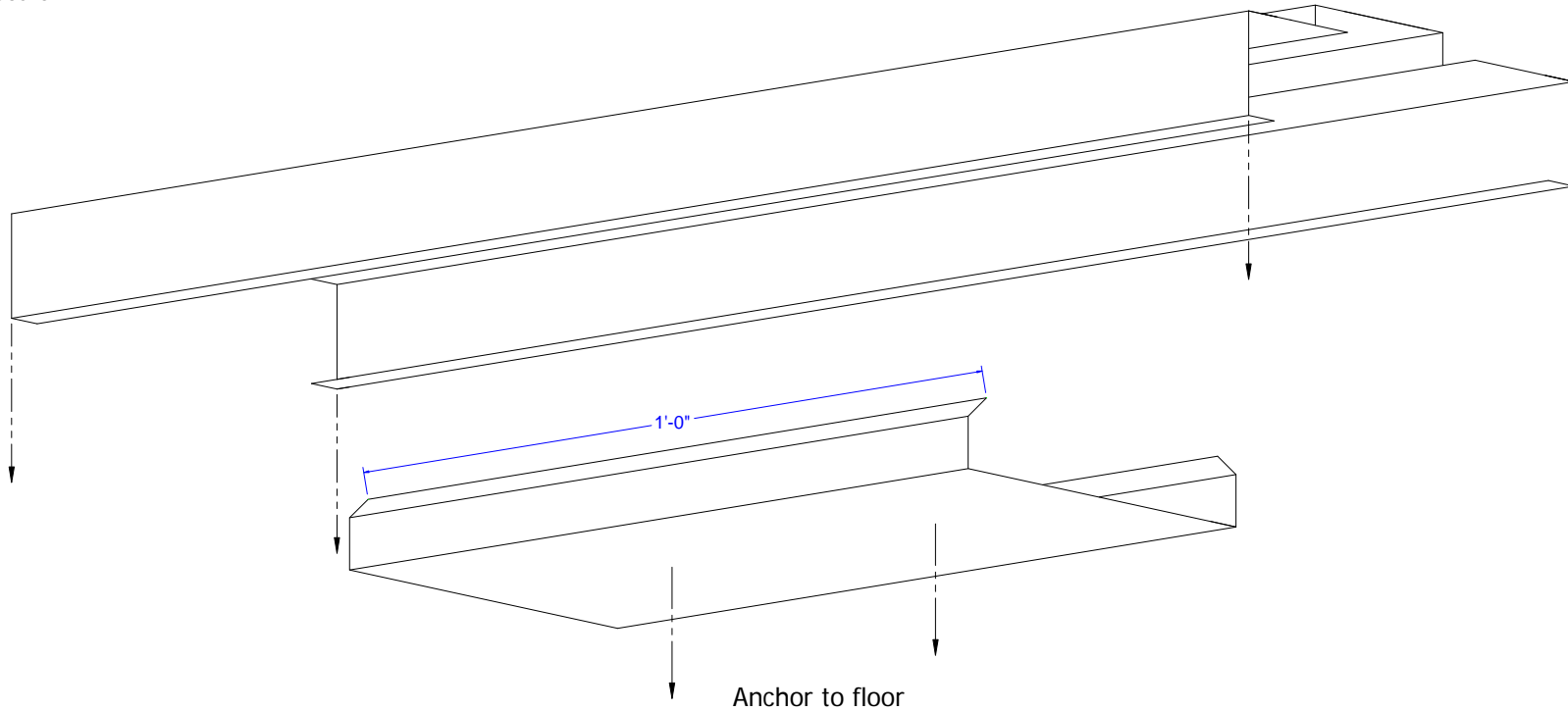
Concept Frames, Inc.  
2015 Industrial Drive, Newton, NC 28658  
PH: 888-234-9455 Fax: 800-631-9089  
[www.ConceptFrames.com](http://www.ConceptFrames.com)

Date: 2-28-2012

Drawn By: KX

Mullion Floor Anchors

Not to scale



Made in 1'-0" length.  
Multiple quantities for a wider sill.



Concept Frames, Inc.  
2015 Industrial Drive  
Newton, NC 28658  
PH: 888-234-9455 Fax: 800-631-9089  
[www.ConceptFrames.com](http://www.ConceptFrames.com)

Date: 12-18-2013 Drawn By: KX

**Wide Sill Support Anchor**