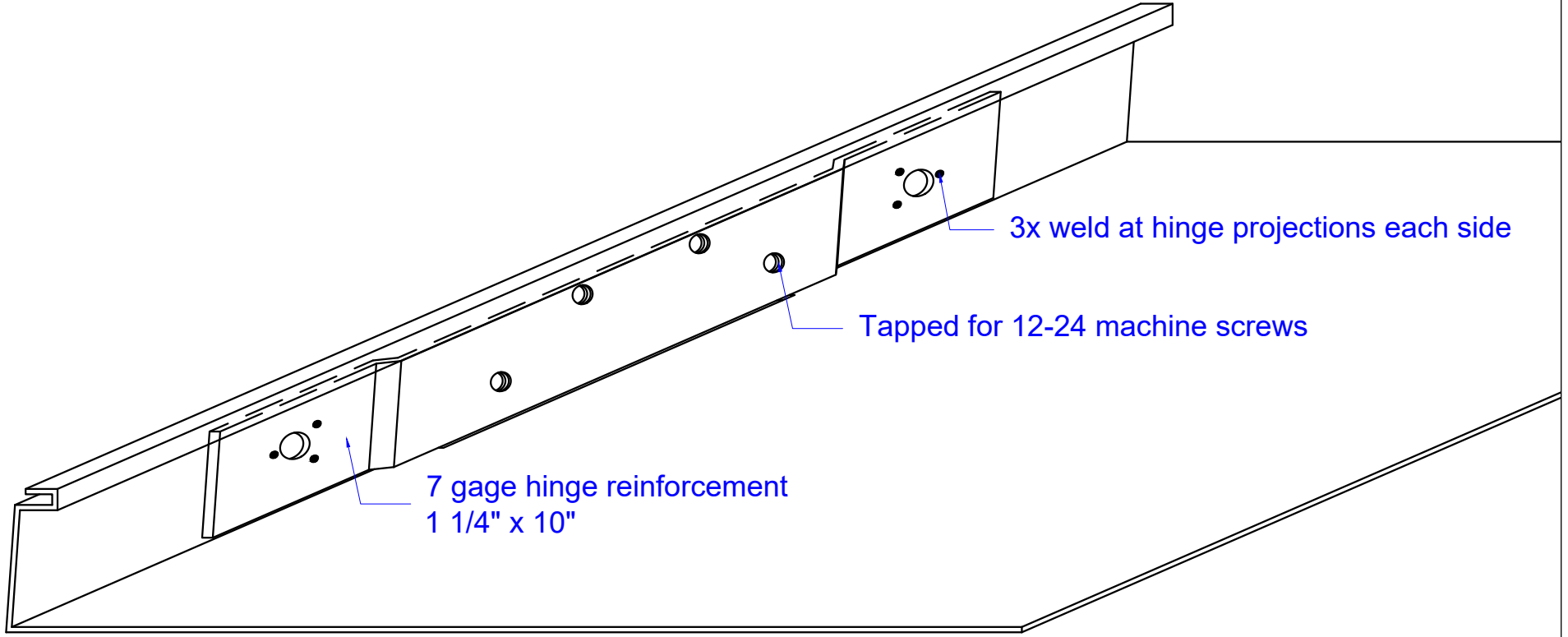


Not to scale



1/4" standard hinge backset for 1 3/4" thick door.

Concept Frames

2015 Industrial Drive, Newton, NC 28658
PH: 888-234-9455 Fax: 800-631-9089
www.ConceptFrames.Com

Drawn By: KX

Date: 2-19-2015

Hollow Metal Door Hinge Reinforcement Detail