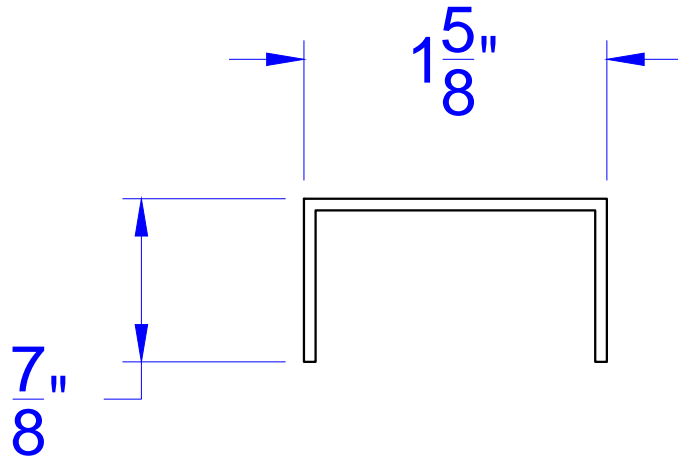
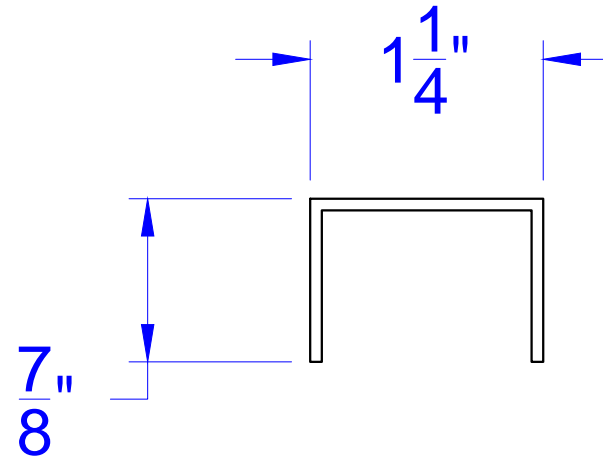


16 gage
1 3/4" thick door



16 gage
1 3/8" thick door



Concept Frames, Inc.

2015 Industrial Drive, Newton, NC 28658
PH: 888-234-9455 Fax: 800-631-9089

www.ConceptFrames.Com

Drawn By: KX

Date: 2-20-2015

Hollow Metal Door Endcaps