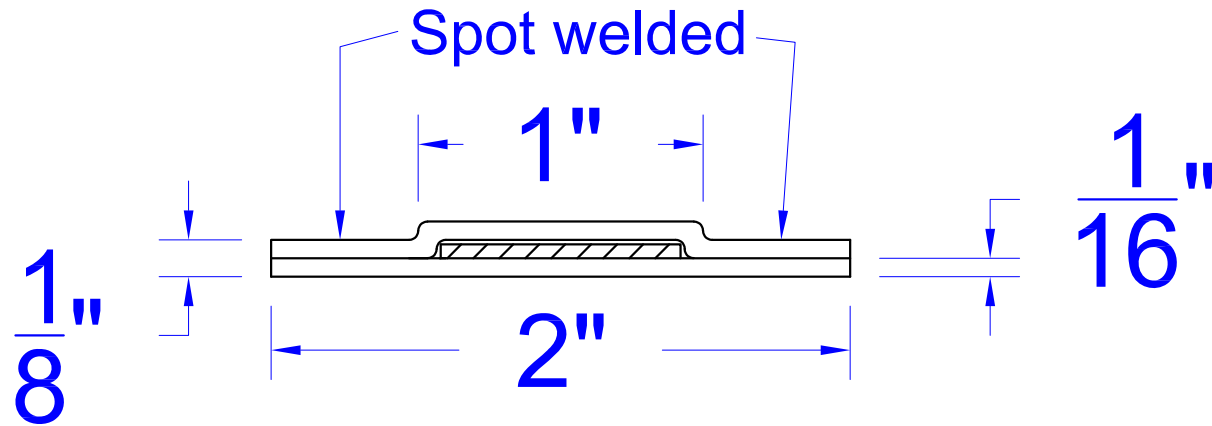


- \* 1/16" lead thickness shown
- \* 16 gage material
- \* 1/8" offset to create 1/8" pocket



## Concept Frames

2015 Industrial Drive, Newton, NC 28658  
PH: 888-234-9455 Fax: 800-631-9089  
[www.ConceptFrames.Com](http://www.ConceptFrames.Com)

Drawn By: KX

Date: 1-22-2015

Lead Lined Astragal