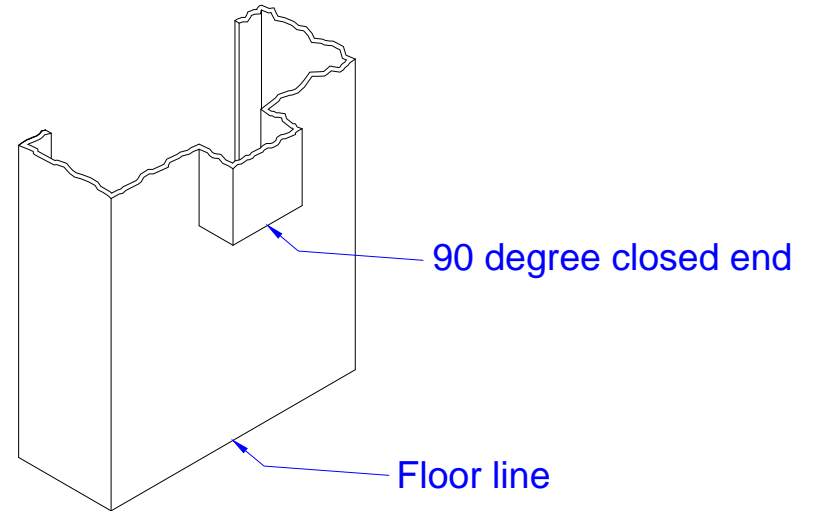
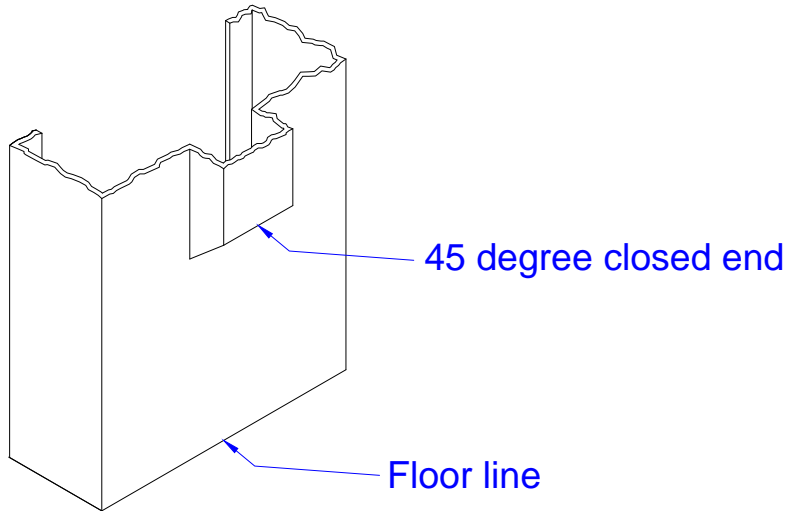
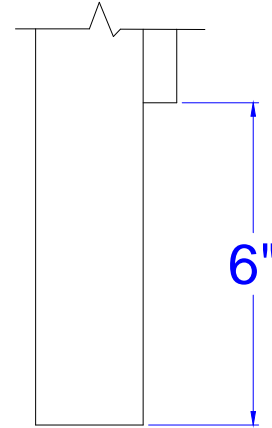
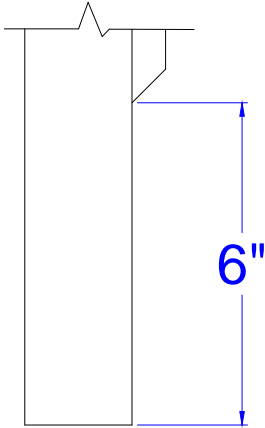


6" cut off stop is common, please specify other sizes



# Concept Frames, Inc.

2015 Industrial Drive, Newton, NC 28658  
PH: 888-234-9455 Fax: 800-631-9089

[www.ConceptFrames.Com](http://www.ConceptFrames.Com)

Drawn By: KX

Date: 2-27-2015

Hospital Stops (Cut Off Stop)