

All elements of the frame member are continuously welded

## Concept Frames, Inc.

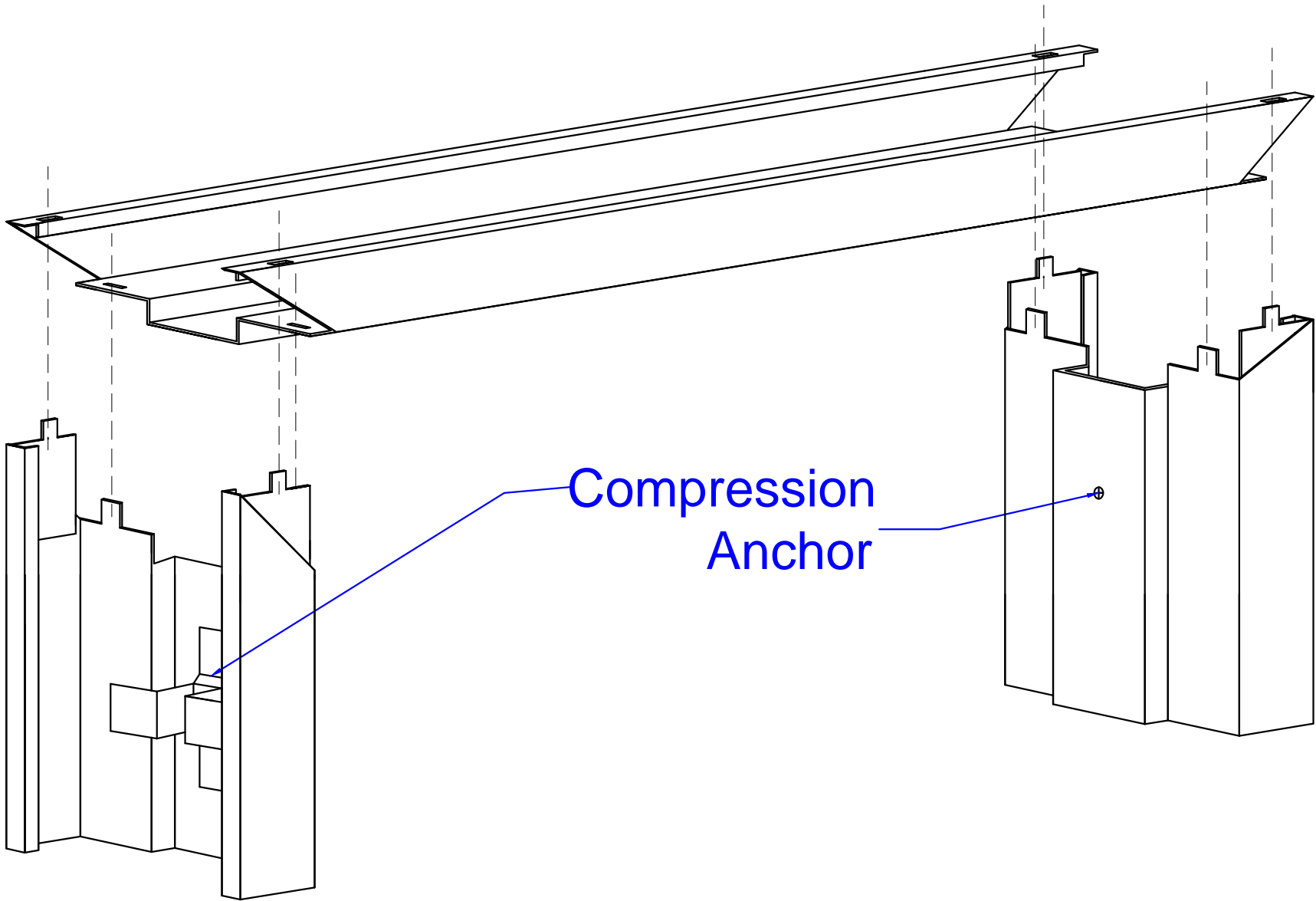
2015 Industrial Drive, Newton, NC 28658  
PH: 888-234-9455 Fax: 800-631-9089

[www.ConceptFrames.Com](http://www.ConceptFrames.Com)

Drawn By: KX

Date: 2-19-2015

Fully welded corner, die cut and mitered



Compression  
Anchor

# Concept Frames, Inc.

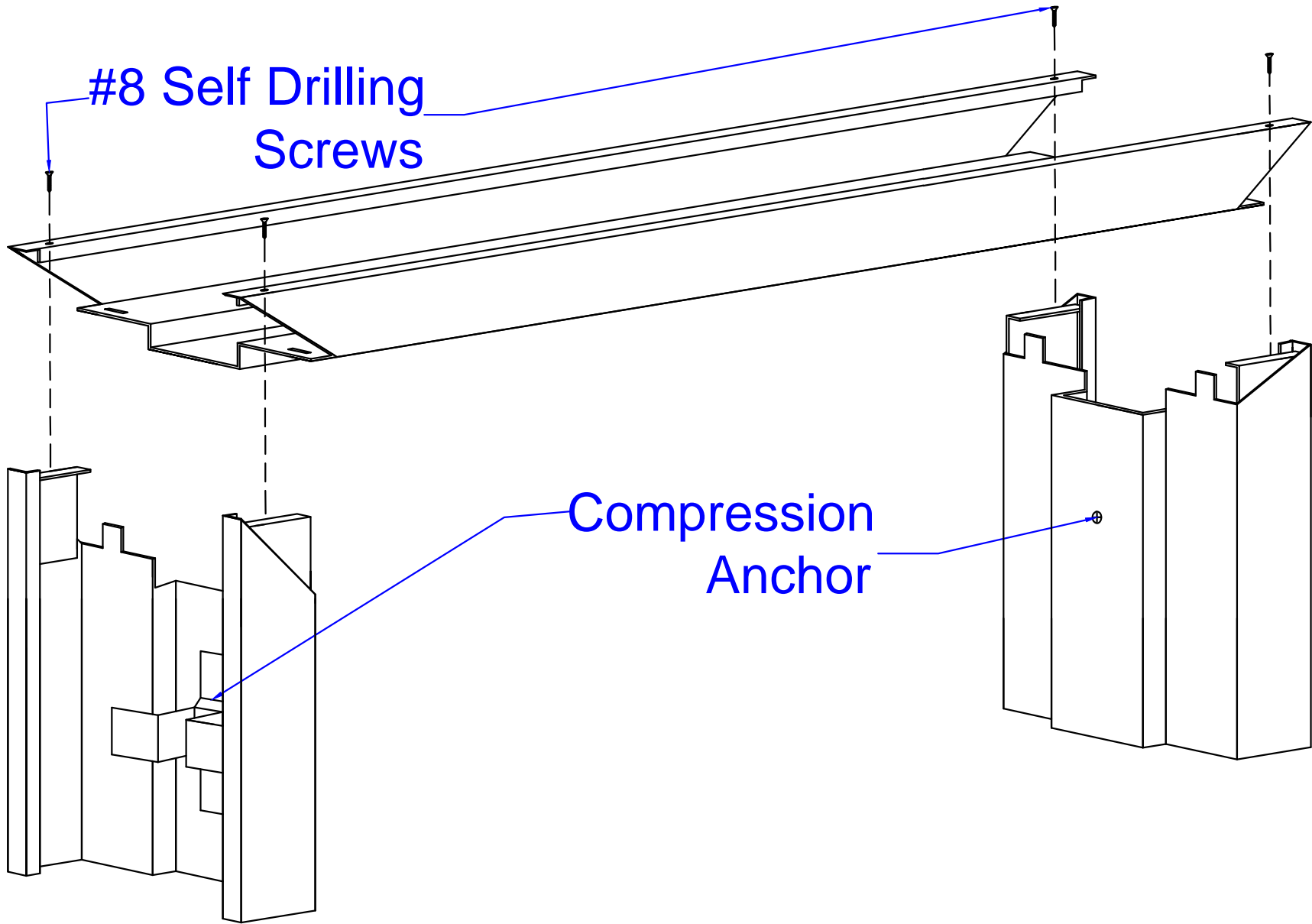
2015 Industrial Drive, Newton, NC 28658  
PH: 888-234-9455 Fax: 800-631-9089

[www.ConceptFrames.Com](http://www.ConceptFrames.Com)

Drawn By: KX

Knock Down Corners

Date: 2-24-2015



# Concept Frames, Inc.

2015 Industrial Drive, Newton, NC 28658  
PH: 888-234-9455 Fax: 800-631-9089

[www.ConceptFrames.Com](http://www.ConceptFrames.Com)

Drawn By: KX

Date: 2-24-2015

Knock Down - Screw Head Anchors