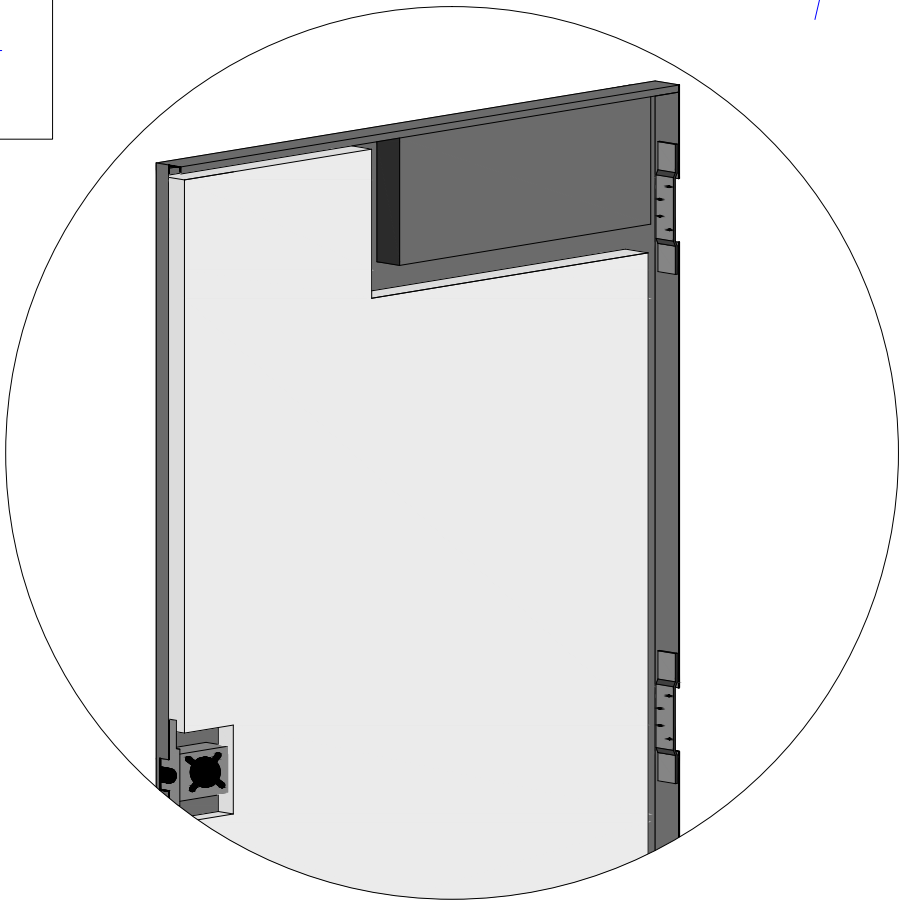


Closer reinforcement is fabricated out of 16 gauge.

The closer box is welded to top cap at each end.

Top cap closer assembly is welded to each door skin.

In lieu of closer box, flat plates may be used. Each flat plate shall be of 16 gage and welded to each door skin.



# Concept Frames

2015 Industrial Drive, Newton, NC 28658  
PH: 888-234-9455 Fax: 800-631-9089  
[www.ConceptFrames.Com](http://www.ConceptFrames.Com)

Drawn By: KX

Date: 2-19-2015

Hollow Metal Door  
Closer Reinforcement