

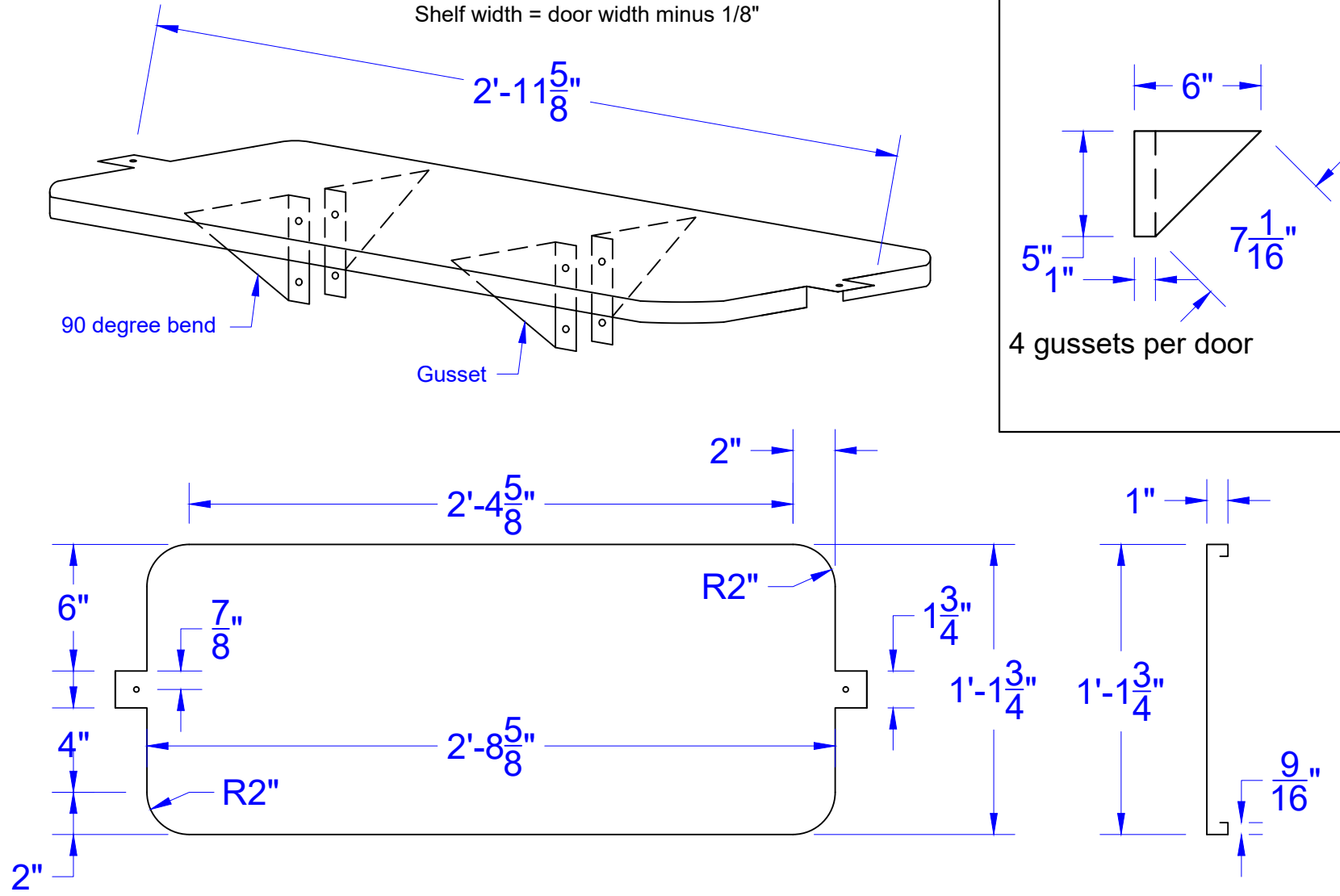
Concept Frames

2015 Industrial Drive, Newton, NC 28658
PH: 888-234-9455 Fax: 800-631-9089
www.ConceptFrames.Com

Drawn By: KX

Date: 1-22-2015

Full Shelf



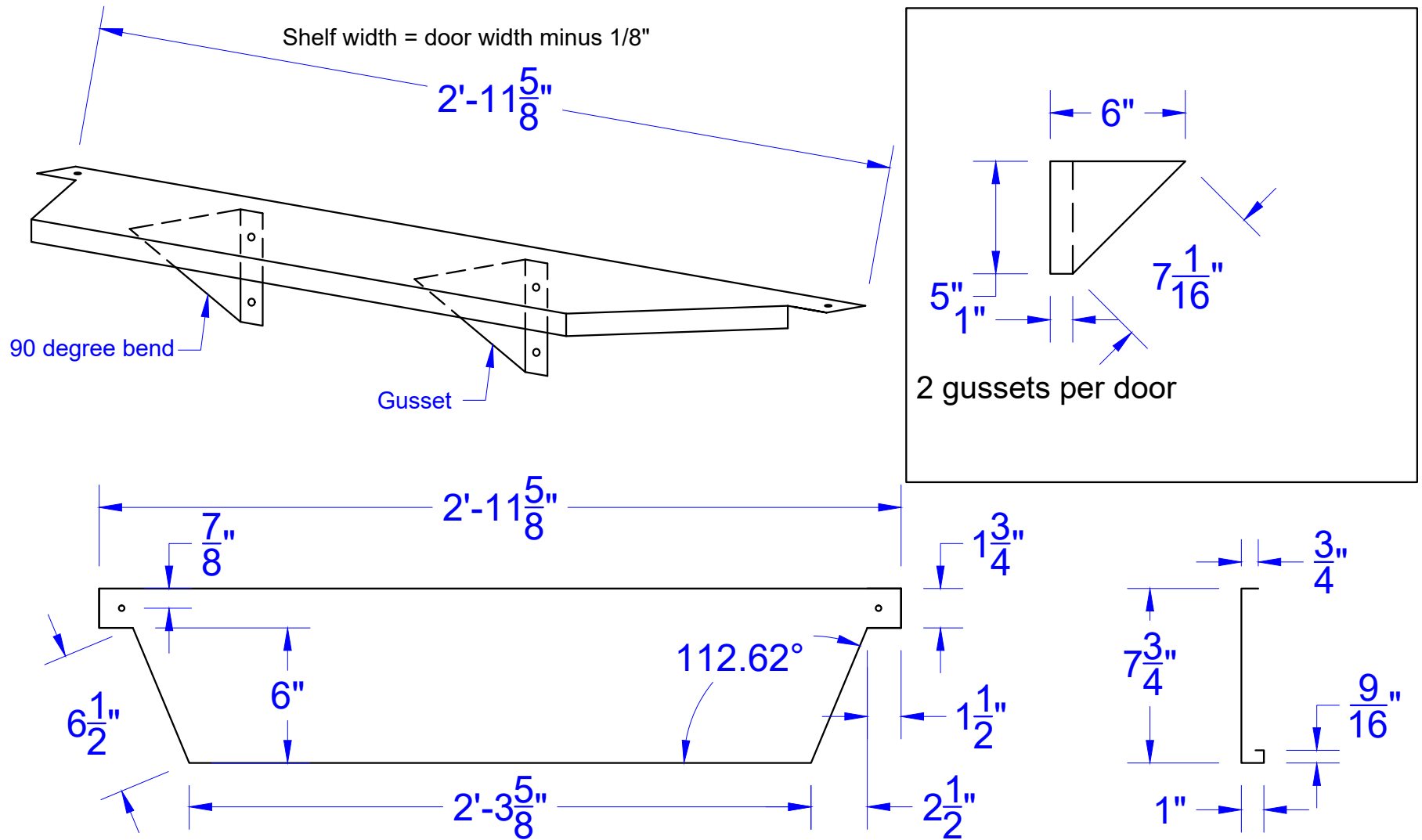
Concept Frames

2015 Industrial Drive, Newton, NC 28658
PH: 888-234-9455 Fax: 800-631-9089
www.ConceptFrames.Com

Drawn By: KX

Date: 1-22-2015

Radius Corner Full Shelf



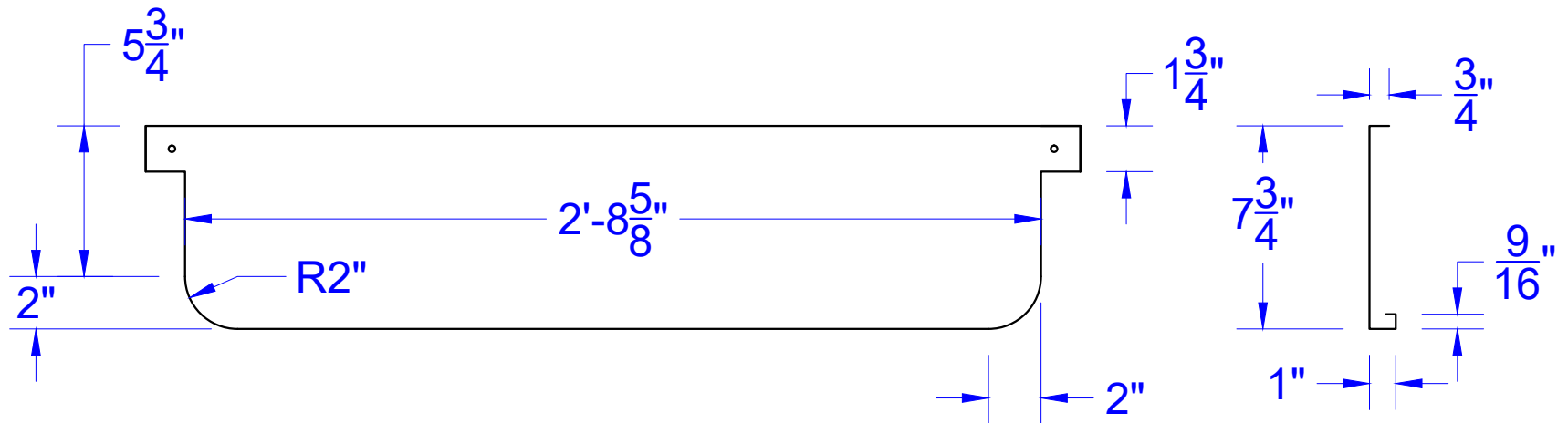
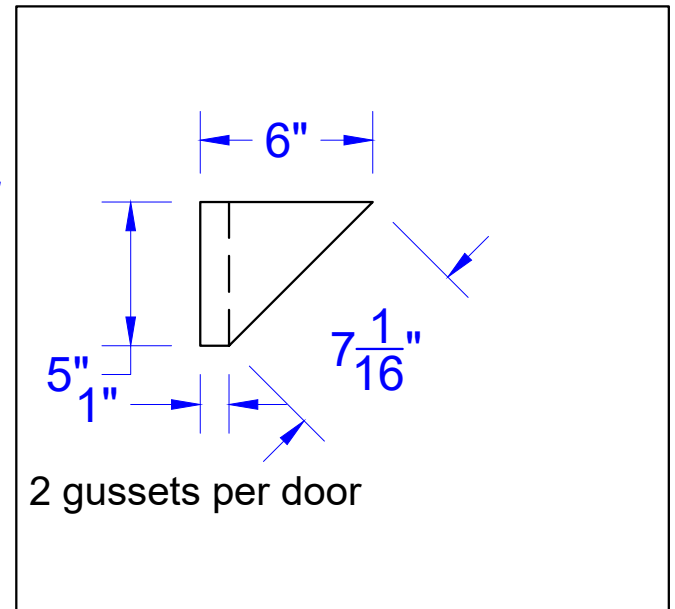
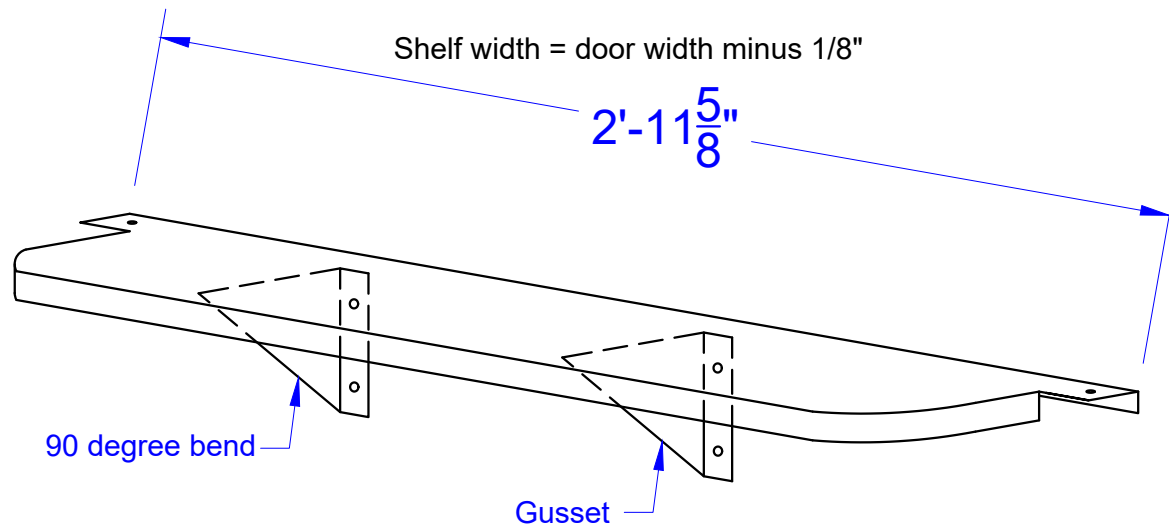
Concept Frames

2015 Industrial Drive, Newton, NC 28658
PH: 888-234-9455 Fax: 800-631-9089
www.ConceptFrames.Com

Drawn By: KX

Date: 1-22-2015

Half Shelf



Concept Frames

2015 Industrial Drive, Newton, NC 28658
PH: 888-234-9455 Fax: 800-631-9089
www.ConceptFrames.Com

Drawn By: KX

Date: 1-22-2015

Radius Corner Half Shelf