

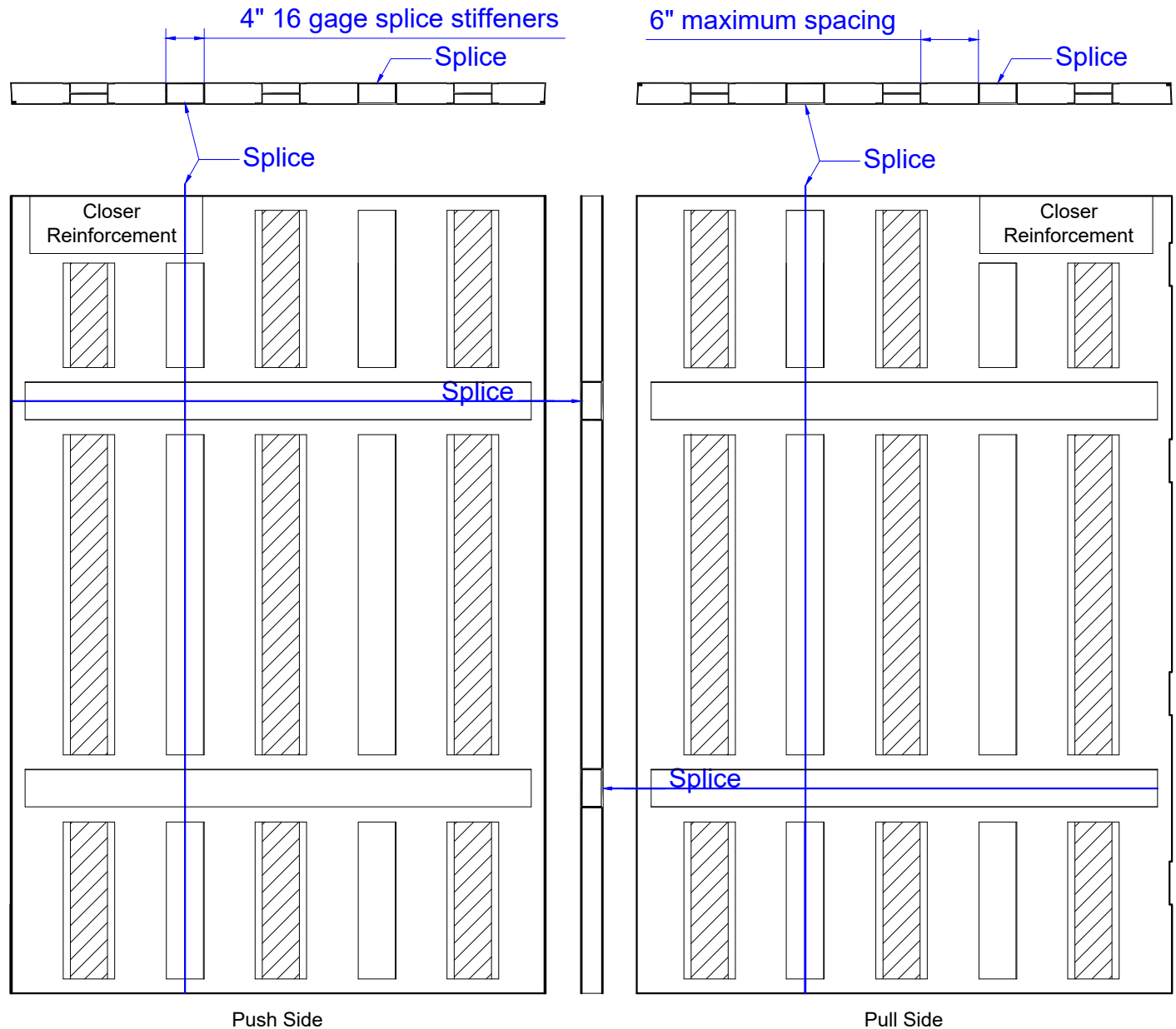
# Concept Frames

2015 Industrial Drive, Newton, NC 28658  
PH: 888-234-9455 Fax: 800-631-9089  
[www.ConceptFrames.Com](http://www.ConceptFrames.Com)

Drawn By: KX

Date: 2-21-2015

Monorail Doors



When door height exceeds 12'-0" or width exceeds 4'-10 1/4" a splice will be required.

The joint is reinforced internally with hat stiffeners welded every 6" on center to both sides of the splice.

The splice is then welded externally every 3" on center, ground and dressed smooth with auto body filler. Depending on the finish coat of paint, the filler and seam may be visible. Our fabricators' responsibility is to provide a finish at the seam that is as close to industry flatness tolerances.

This construction has passed fire tests in a joint test by the Hollow Metal Manufacturers Association performed at Underwriters Laboratories and is an accepted type of construction for members who must build oversized doors.

# Concept Frames

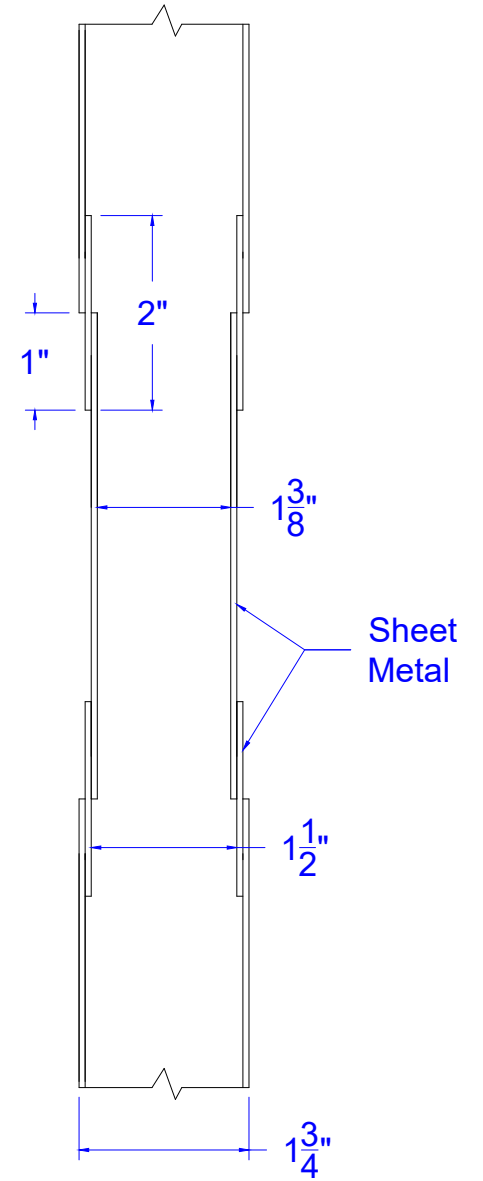
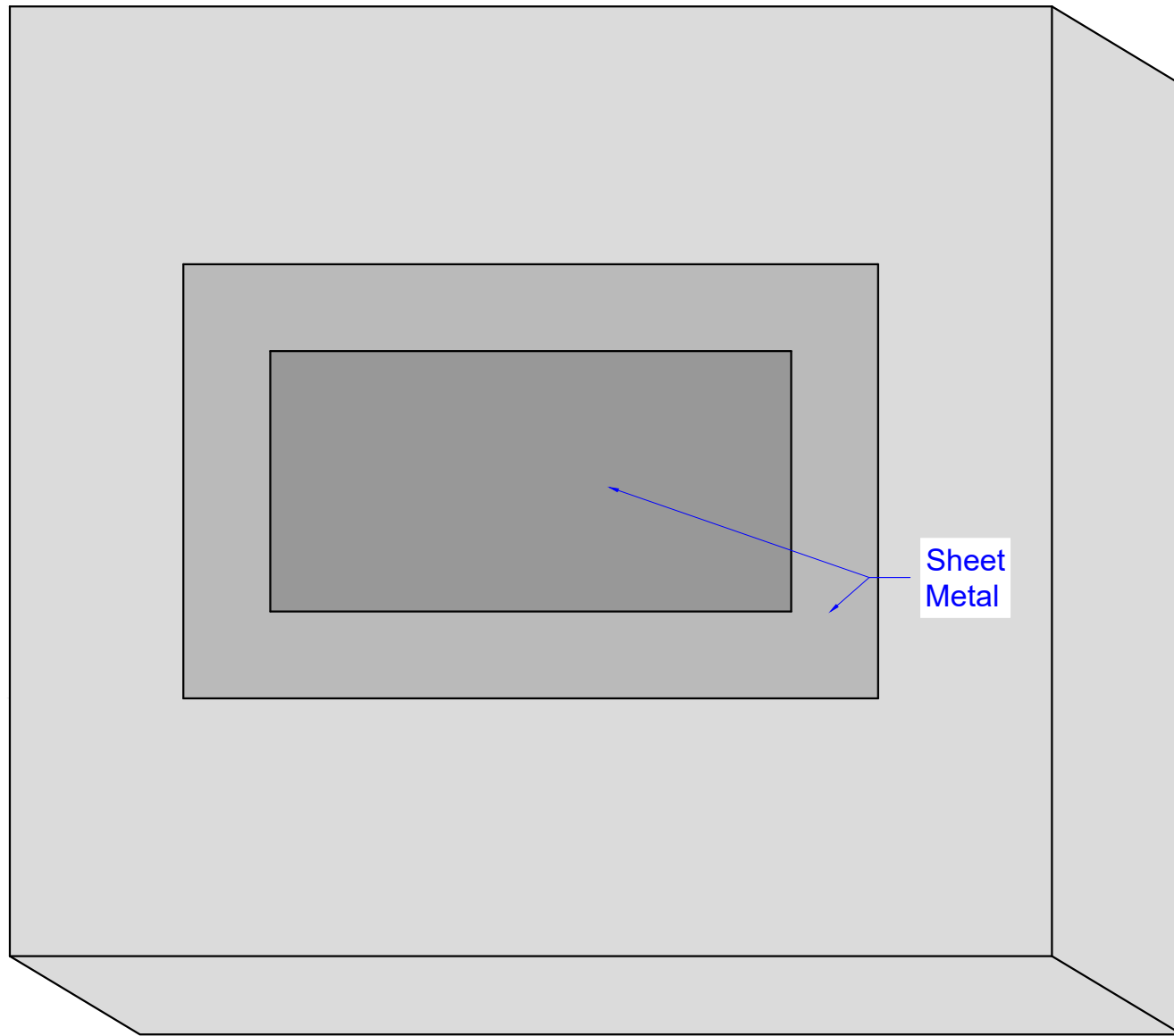
2015 Industrial Drive, Newton, NC 28658  
 PH: 888-234-9455 Fax: 800-631-9089  
[www.ConceptFrames.Com](http://www.ConceptFrames.Com)

Drawn By: KX

Date: 2-21-2015

Hollow Metal Door over 12'-0" tall or 4'-10 1/4" wide  
 Horizontal and Vertical Splices

Not to scale



# Concept Frames

2015 Industrial Drive, Newton, NC 28658  
PH: 888-234-9455 Fax: 800-631-9089  
[www.ConceptFrames.Com](http://www.ConceptFrames.Com)

Drawn By: KX

Step Down Panel

Date: 2-23-2015